

---

## SAND TRAP LOUVER

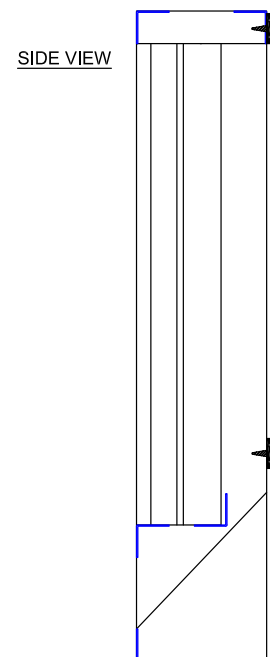
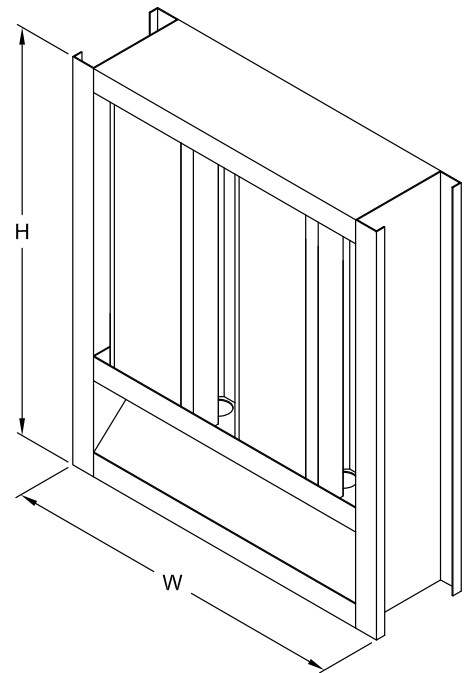
---

### DESCRIPTION

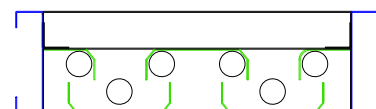
STL Sand Louvers are designed for removal of dust and sand particles. A double layer of vertical blades design provides 27% free area, low pressure drop, high sand removal efficiency and vision proof design.

### STANDARD CONSTRUCTION

- Frame:** 100 mm deep channel, 1.2 mm thick galvanized steel
- Blades:** 1.2 mm thick galvanized steel, vertical, sight proof
- Screen:** 13 mm removable expanded aluminium bird screen. Located on interior
- Construction:** Mechanically fastened and welded
- Finish:** Mill with touch up on welds
- Dimensions:** Minimum size: 300 mm x 300 mm  
Maximum size: 2400 mm x 2400 mm (single section)  
Maximum multiple section size: Unlimited  
“W” (width) and “H” (height) are opening sizes. Louvers are made 6 mm undersized.



SECTION VIEW



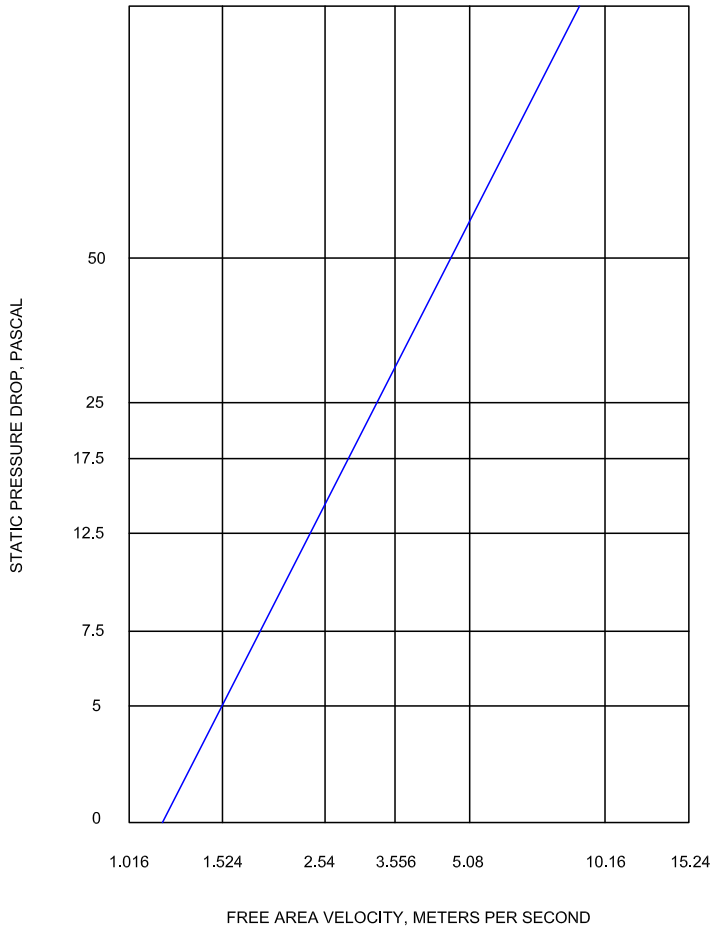
### OPTIONS

- 1.6 mm or 2.0 mm Aluminum Construction
- 1.6 mm Galvanized Steel Construction
- Variety of Bird and Insect Screens
- 304 or 316 Stainless Steel Construction
- Flanged Frame
- Filter Rack
- Washable Filters
- Hinged Frame
- Clip Angles
- Selection of Finishes: Super Durable Polyester Powder coatings, Kynar/PVF and anodized.

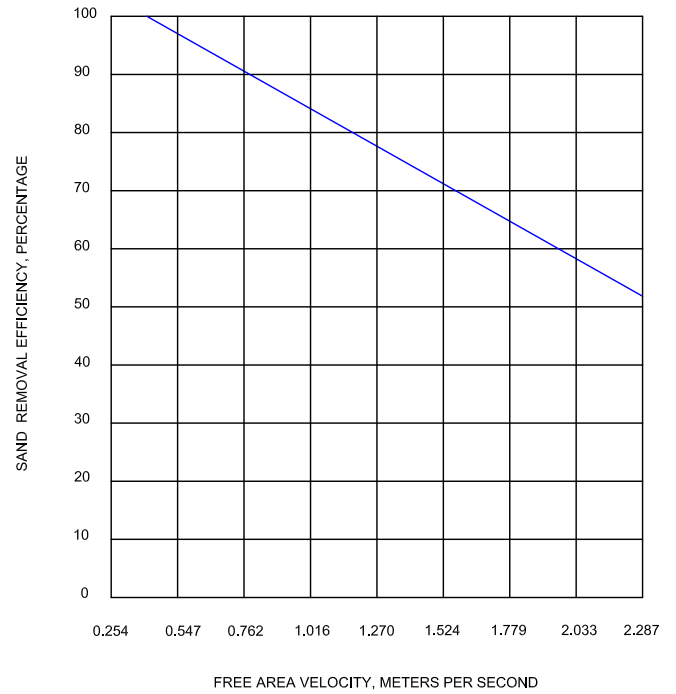
# STL Performance Data

Below STL performance charts are based on tests performed at Cert-Aire Laboratory at Arlington Heights, Illinois based on AMCA Publication 511 for Air Performance and Water Penetration and ASHRAE Standard 52-76 for sand removal.

## Pressure Drop



## Sand Removal Efficiency



# STL Sand Trap Louver Features and Specifications

---

- 27% Free Area, 1200 x 1200 mm Test Size
- Low pressure drop, tested in accordance with AMCA Publication 511
- Sand efficiency removal of approximately 90% measured during tests described in ASHRAE Standard 52-76 test method.
- Sight proof design.
- Withstand a basic wind speed of 145 KPH (equivalent of a wind load of 0.96 kPa)

Published performance charts are based on tests performed at Cert-Aire Laboratory at Arlington Heights, Illinois based on AMCA Publication 511 for Air Performance and Water Penetration and ASHRAE Standard 52-76 for sand removal.

TAG	QUANTITY	DIMENSIONS		OPTIONS
		WIDTH	HEIGHT	
<b>PROJECT</b>				
<b>LOCATION</b>				
<b>CONTRACTOR</b>				<b>DATE</b>

