

---

## VOLUME CONTROL DAMPER

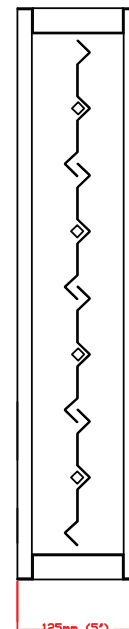
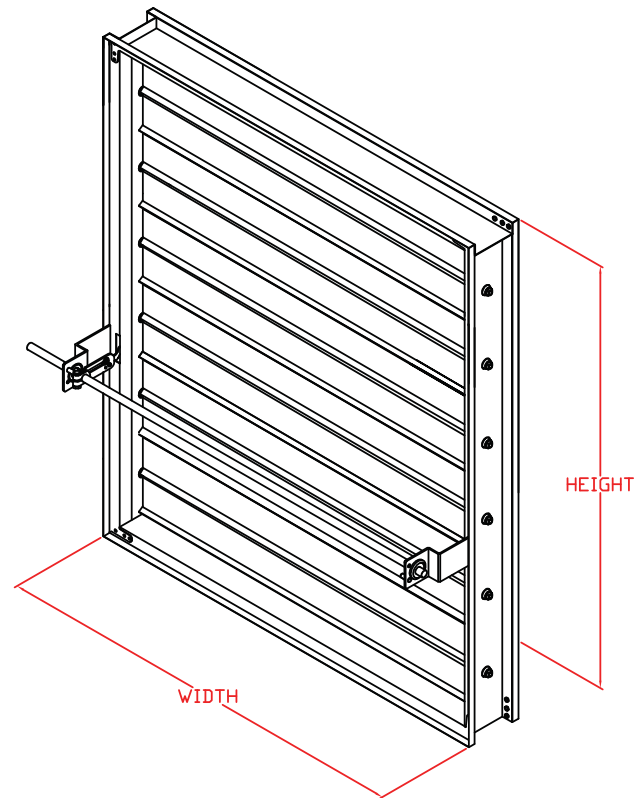
---

### DESCRIPTION

VD-1 is a control damper intended for application in medium pressure and velocity systems (up to 5.0 in. w.g. pressure differential and 3000 fpm velocity)

### STANDARD CONSTRUCTION

- |                    |  |
|--------------------|--|
| <b>Frame:</b>      | 5" deep (127 mm) deep channel frame<br>18 gauge (1.2 mm) thick galvanized steel  |
| <b>Blades:</b>     | 18 gauge (1.2 mm) thick galvanized steel<br>3-V shaped   |
| <b>Bearings:</b>   | Synthetic bearings   |
| <b>Axle:</b>       | ½" (13 mm) diameter plated steel   |
| <b>Linkage:</b>    | plated steel side linkage concealed in frame   |
| <b>Finish:</b>     | Mill Finish  |
| <b>Dimensions:</b> | Minimum size: 150 mm x 150 mm<br>Maximum size: 1200 mm x 2400 mm<br>(single section)<br>Multiple sections size: Unlimited<br>"W" (width) and "H" (height) are opening sizes. Dampers are made 6 mm undersized. |



### OPTIONS

- Lockable hand quadrant for manual operation
- Electric Actuators: 24 V or 230 V
- Factory mounted sleeve
- Retaining Angles
- Stainless steel construction
- Stainless steel linkage and bearings
- Bronze bearings
- Flanged frame
- Special finishes

## VD-1 PERFORMANCE DATA

**PRESSURE DROP:** Below pressure drop data was obtained from tests conducted in accordance with AMCA Standard 500-D. Actual pressure drop found in any HVAC system is a combination of many factors. This pressure drop information along with an analysis of other system influences should be used to estimate actual pressure losses for a damper installed in a given HVAC system.

