



**DYNAMIC RATE FIRE DAMPER**  
**UL555 1 ½ Hour Fire Rating**

**APPLICATION**

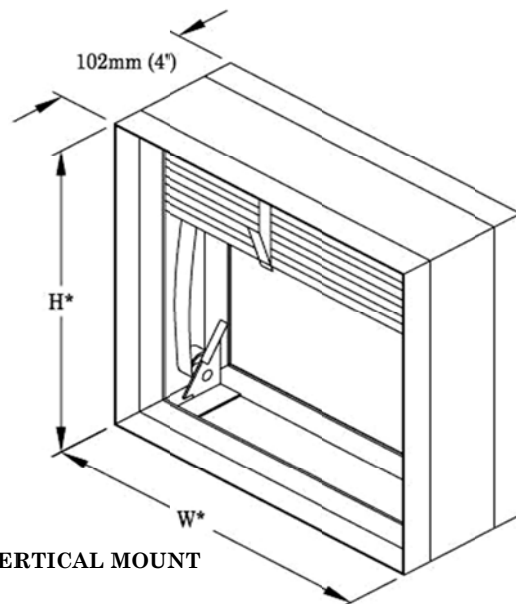
Model DFD-10 is approved for installation in walls with a fire resistance rating of less than 3 hours. This damper installed vertically in dynamic HVAC systems that automatically shut down in the event of fire.

**RATINGS**

UL555 Fire Resistance Rating: 1 ½ Hour  
Dynamic closure rating  
Maximum Velocity: 2000 fpm (10.2 m/s)  
Maximum Pressure: 4 in. w.g. (1 kPa)

**STANDARD CONSTRUCTION**

**Frame:** Roll formed, galvanized steel  
**Blades:** Low profile roll formed, galvanized steel



\*These dimensions are furnished approximately ¼”(6mm) undersize.

**FEATURES**

Stainless steel closure springs  
Fusible link (165°F (74°C) standard)  
Vertical Mount

**INSTALLATION**

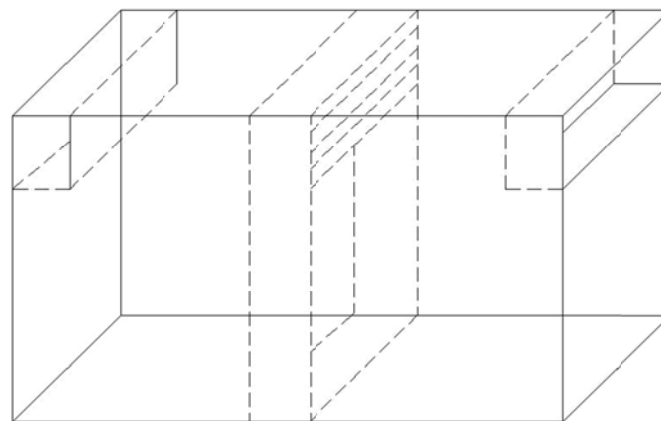
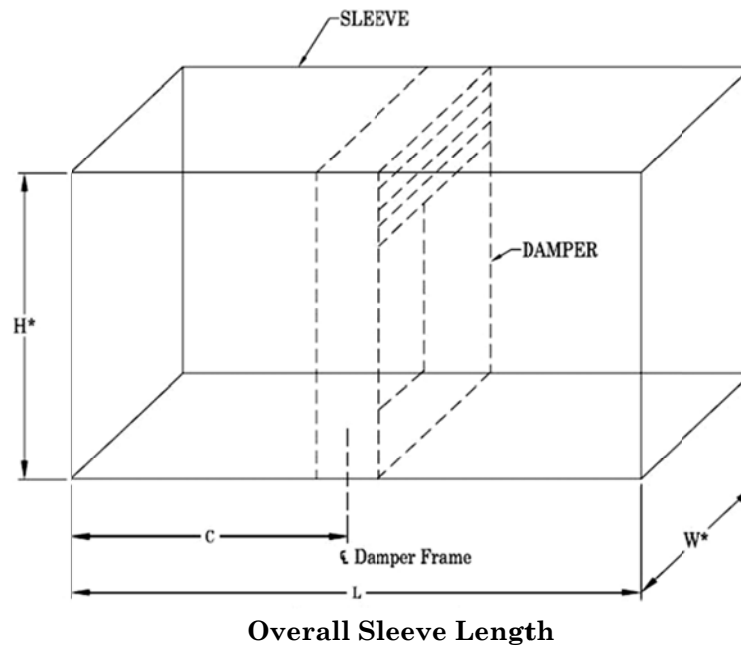
All fire damper installations require the use of sleeves, angles and methods described in IGC Fire Damper Installation Instructions, included with every damper shipment. Sleeves can be field fabricated or factory furnished as a complete damper/sleeve assembly. See Factory Sleeve Option below for details.

**OPTIONAL FEATURES**

Sealed transitions and sleeves  
One piece retaining angles (POC)  
Transitions (B, C, CR)

## FACTORY SLEEVE OPTION

DFD-150 Fire Dampers are available in factory furnished sleeves. Sleeves are galvanized steel and are available in 10 thru 20 ga. (1mm- 3.5mm) thicknesses and lengths up to 36 in. (914mm). "C" dimension specifies location of damper within the sleeve. Minimum is 4 in. H\* (102mm), maximum is "L" less 4 in. (102mm), which allows for mounting angle installation and duct connection at each end of the sleeve. If "C" dimension is not specified, it will be provided as one half of "L" dimension (damper centered in sleeve).



**Type B with Sleeve**

## DFD-10 TYPE A

### SIZING DATA

Damper maximum single section size is supplied in one section. If ordered with a factory sleeve, single-section dampers are factory assembled ready for installation. If ordered without a factory sleeve, single-section dampers require field assembly. (See IGC Fire Damper Installation Instructions)

The following chart and illustrations show minimum and maximum damper section size and assembly configurations for single section.

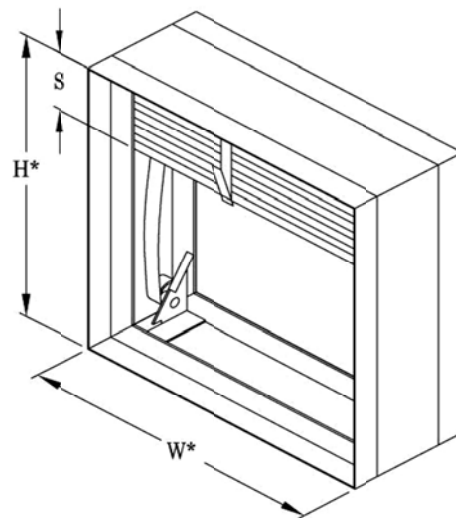
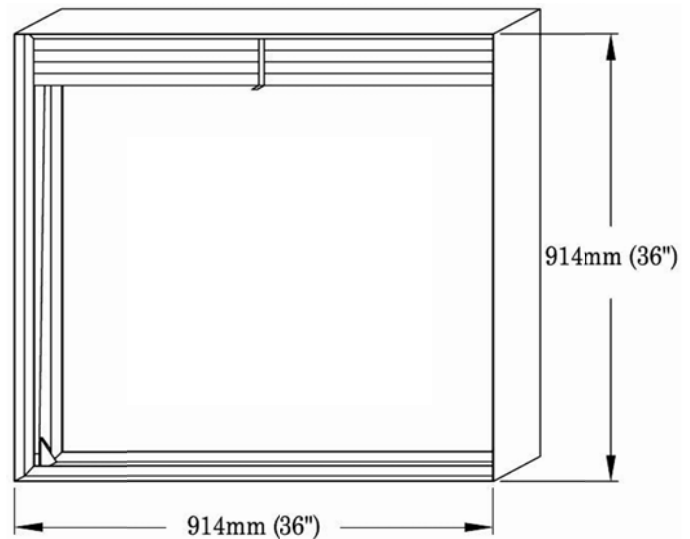
### SIZE LIMITATIONS

| mm (inches) | Vertical Single Section |
|-------------|-------------------------|
| Minimum     | 102 x 102 (4" x 4")     |
| Maximum     | 914 x 914 (36" x 36")   |

### Blade Stack Dimensions

| H*        | S   |
|-----------|-----|
| 102 (4")  | 20  |
| 127 (5")  | 20  |
| 152 (6")  | 23  |
| 178 (7")  | 28  |
| 203 (8")  | 30  |
| 229 (9")  | 33  |
| 254 (10") | 33  |
| 279 (11") | 36  |
| 305 (12") | 41  |
| 330 (13") | 43  |
| 356 (14") | 46  |
| 381 (15") | 46  |
| 406 (16") | 51  |
| 432 (17") | 53  |
| 457 (18") | 56  |
| 483 (19") | 58  |
| 508 (20") | 61  |
| 533 (21") | 66  |
| 559 (22") | 66  |
| 584 (23") | 69  |
| 610 (24") | 74  |
| 635 (25") | 79  |
| 660 (26") | 81  |
| 686 (27") | 81  |
| 711 (28") | 84  |
| 737 (29") | 86  |
| 762 (30") | 91  |
| 787 (31") | 94  |
| 813 (32") | 94  |
| 838 (33") | 99  |
| 864 (34") | 99  |
| 889 (35") | 104 |
| 914 (36") | 107 |

### Maximum Single Section



\*These dimensions are furnished approximately 1/4" (6mm) undersize.

## DFD-10 TYPE B

### SIZING DATA

Damper maximum single section size is supplied in one section. If ordered with a factory sleeve, single-section dampers are factory assembled ready for installation. If ordered without a factory sleeve, single-section dampers require field assembly. (See IGC Fire Damper Installation Instructions)

The following chart and illustrations show minimum and maximum damper section size and assembly configurations for single section.

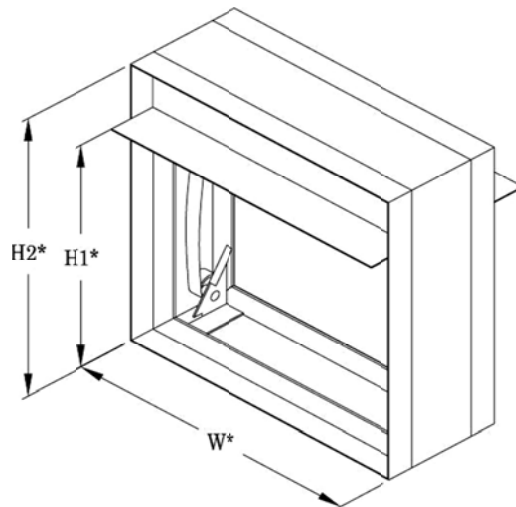
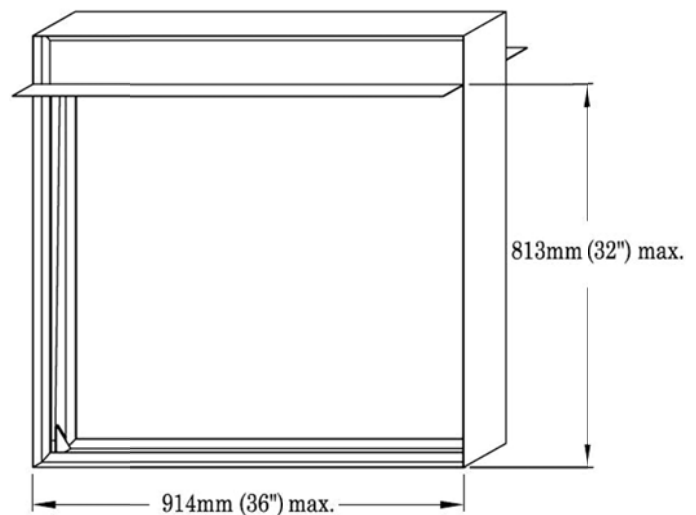
#### SIZE LIMITATIONS (B Transition)

| mm (inches) | Vertical Single Section |
|-------------|-------------------------|
| Minimum     | 102 x 102 (4" x 4")     |
| Maximum     | 914 x 813 (36" x 32")   |

#### Blade Stack Dimensions (Nominal)

| H1*       | H2*       |
|-----------|-----------|
| 102 (4")  | 152 (6")  |
| 127 (5")  | 178 (7")  |
| 152 (6")  | 203 (8")  |
| 178 (7")  | 229 (9")  |
| 203 (8")  | 254 (10") |
| 229 (9")  | 279 (11") |
| 254 (10") | 305 (12") |
| 279 (11") | 330 (13") |
| 305 (12") | 356 (14") |
| 330 (13") | 381 (15") |
| 356 (14") | 406 (16") |
| 381 (15") | 457 (18") |
| 406 (16") | 483 (19") |
| 432 (17") | 508 (20") |
| 457 (18") | 533 (21") |
| 483 (19") | 559 (22") |
| 508 (20") | 584 (23") |
| 533 (21") | 610 (24") |
| 559 (22") | 660 (26") |
| 584 (23") | 686 (27") |
| 610 (24") | 711 (28") |
| 635 (25") | 737 (29") |
| 660 (26") | 762 (30") |
| 686 (27") | 787 (31") |
| 711 (28") | 813 (32") |
| 737 (29") | 838 (33") |
| 762 (30") | 864 (34") |
| 787 (31") | 889 (35") |
| 813 (32") | 914 (36") |

#### Maximum Single Section



\*These dimensions are furnished approximately 1/4" (6mm) undersize

# DFD-10 TYPE C & CR

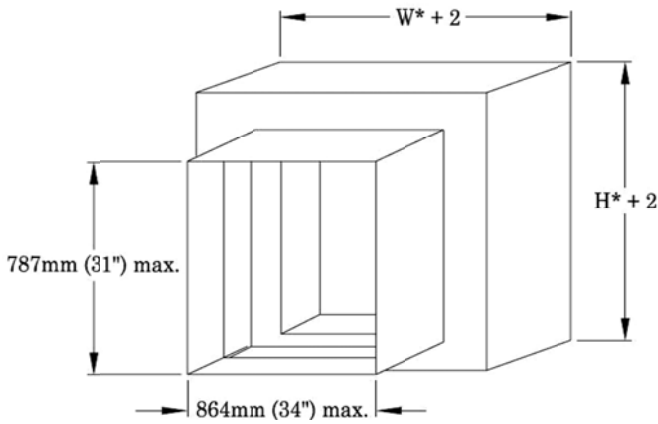
## SIZING DATA

Damper maximum single section size is supplied in one section. If ordered with a factory sleeve, single-section dampers are factory assembled ready for installation. If ordered without a factory sleeve, single-section dampers require field assembly. (See IGC Fire Damper Installation Instructions)

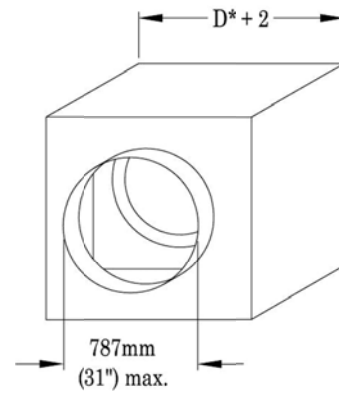
The following chart and illustrations show minimum and maximum damper section size and assembly configurations for single section.

## SIZE LIMITATIONS

| mm (inches)             | Type C            |                       | Type CR |           |
|-------------------------|-------------------|-----------------------|---------|-----------|
|                         | Minimum           | Maximum               | Minimum | Maximum   |
| Vertical Single Section | 76 x 76 (3" x 3") | 864 x 787 (34" x 31") | 76 (3") | 787 (31") |



**TYPE C**



**TYPE CR**

