

VOLUME CONTROL DAMPER

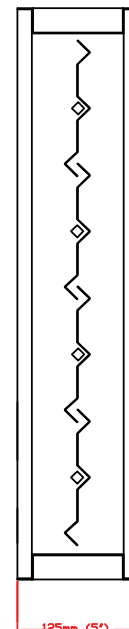
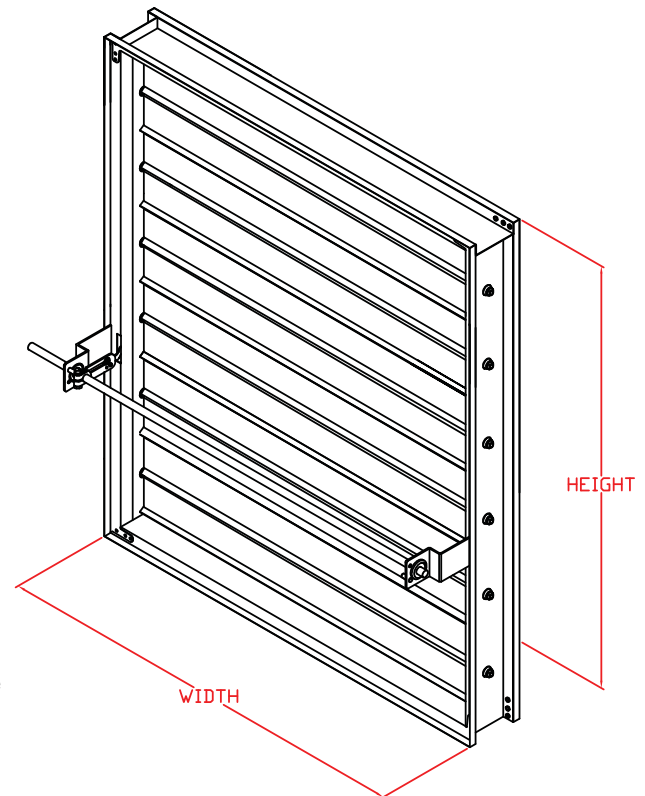
Low Leakage

DESCRIPTION

VD-2 is a low leakage control damper intended for application in medium pressure and velocity systems (up to 5.0 in. w.g. pressure differential and 3000 fpm velocity)

STANDARD CONSTRUCTION

Frame:	5" deep (127 mm) deep channel frame 16 gauge (1.6 mm) thick galvanized steel
Blades:	16 gauge (1.6 mm) thick galvanized steel 3-V shaped
Blade Seals:	Silicone blade seals
Bearings:	Synthetic bearings
Axle:	½" (13 mm) diameter plated steel
Linkage:	plated steel side linkage concealed in frame
Finish:	Mill Finish
Dimensions:	Minimum size: 150 mm x 150 mm Maximum size: 1200 mm x 2400 mm (single section) Multiple sections size: Unlimited "W" (width) and "H" (height) are opening sizes. Dampers are made 6 mm undersized.

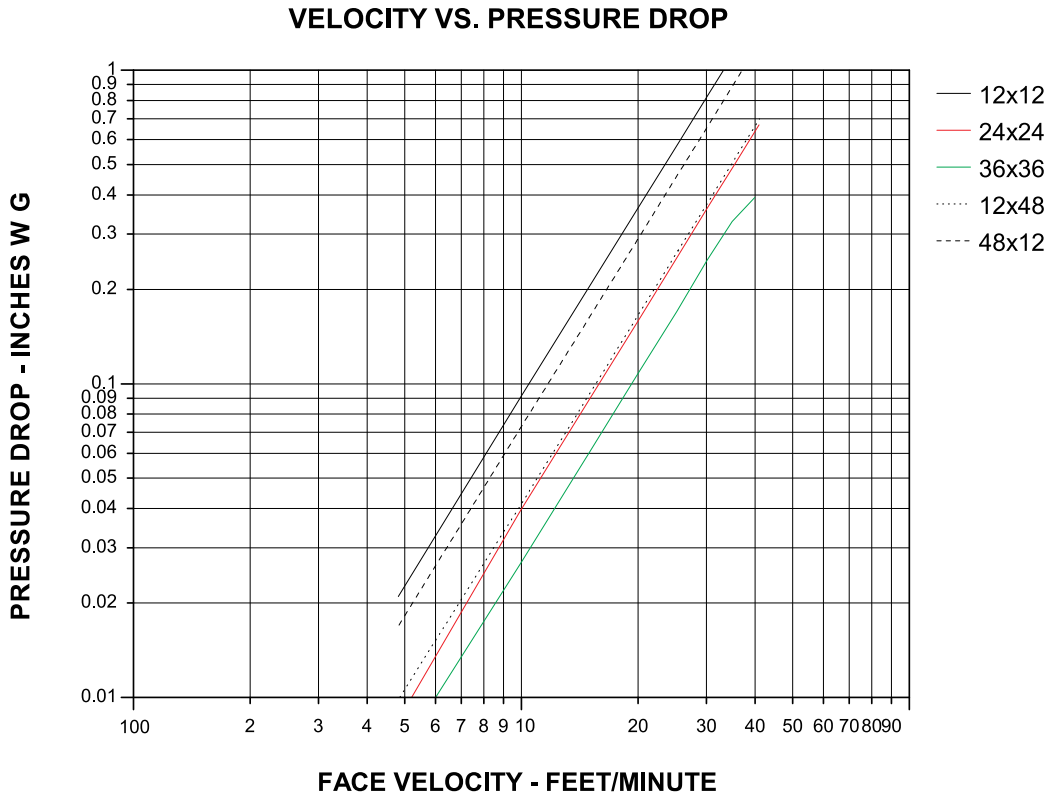


OPTIONS

- Lockable hand quadrant for manual operation
- Electric Actuators: 24 V or 230 V
- Factory mounted sleeve
- Retaining Angles
- Heavier gauge galvanized steel construction
- Stainless steel construction
- Stainless steel linkage and bearings
- Bronze bearings
- Flanged frame
- Special finishes

VD-2 PERFORMANCE DATA

PRESSURE DROP: Below pressure drop data was obtained from tests conducted in accordance with AMCA Standard 500-D. Actual pressure drop found in any HVAC system is a combination of many factors. This pressure drop information along with an analysis of other system influences should be used to estimate actual pressure losses for a damper installed in a given HVAC system.



LEAKAGE: Below Leakage data was obtained from tests conducted in accordance with AMCA Standard 500.

Pressure Differential (in. w.g.)	Leakage (cfm/ft ²)
1 in. w.g.	3 cfm/ft ²
4 in. w.g.	6 cfm/ft ²

