
STATIC RATED FIRE DAMPER
UL555 1 ½ Hour Fire Rating

APPLICATION

Model FD-10 is approved for installation in walls with a fire resistance rating of less than 3 hours. This damper installed vertically in Static HVAC systems that automatically shut down in the event of fire.

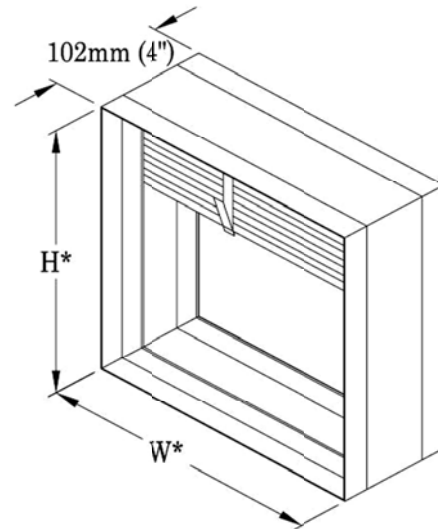
RATINGS

UL555 Fire Resistance Rating: 1 ½ Hour

STANDARD CONSTRUCTION

Frame: Roll formed, galvanized steel

Blades: Low profile roll formed, galvanized steel



VERTICAL MOUNT

*These dimensions are furnished approximately ¼" (6mm) undersize.

FEATURES

Stainless steel closure springs
Fusible link (165°F (74°C) standard)
Vertical Mount

INSTALLATION

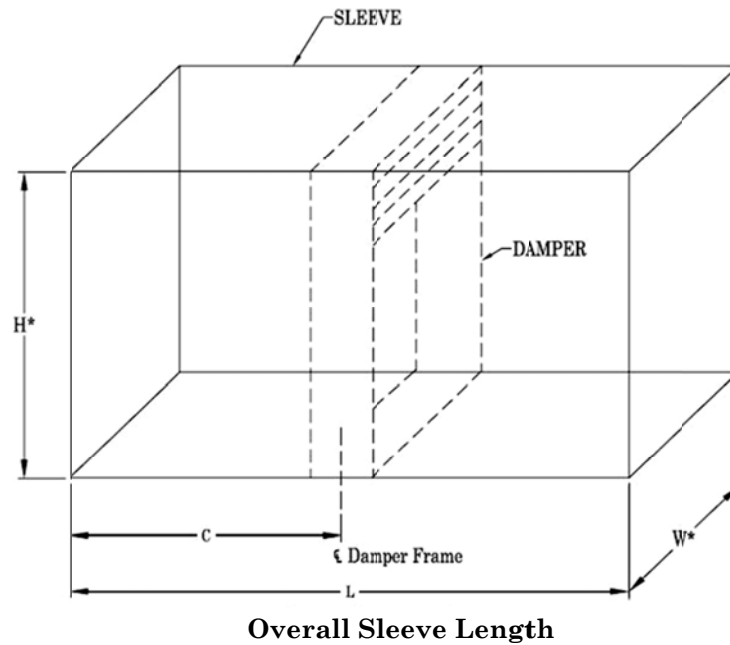
All fire damper installations require the use of sleeves, angles and methods described in IGC Fire Damper Installation Instructions, included with every damper shipment. Sleeves can be field fabricated or factory furnished as a complete damper/sleeve assembly. See Factory Sleeve Option below for details.

OPTIONAL FEATURES

Sealed transitions and sleeves
One piece retaining angles (POC)
Transitions (B, C, R)

FACTORY SLEEVE OPTION

FD-10 Fire Dampers are available in factory furnished sleeves. Sleeves are galvanized steel and are available in 1.0mm - 1.5mm thicknesses and lengths up to 914mm. "C" dimension specifies location of damper within the sleeve. Minimum is 102 mm; maximum is "L" less 102mm, which allows for mounting angle installation and duct connection at each end of sleeve. If "C" dimension is not specified, it will be provided as one half of "L" dimension (damper centered in sleeve).
Note:



FD-10 TYPE A

SIZING DATA

Damper maximum single section size is supplied in one section. If ordered with a factory sleeve, single-section dampers are factory assembled ready for installation. If ordered without a factory sleeve, single-section dampers require field assembly. (See IGC Fire Damper Installation Instructions)

The following chart and illustrations show minimum and maximum damper section size and assembly configurations for single section.

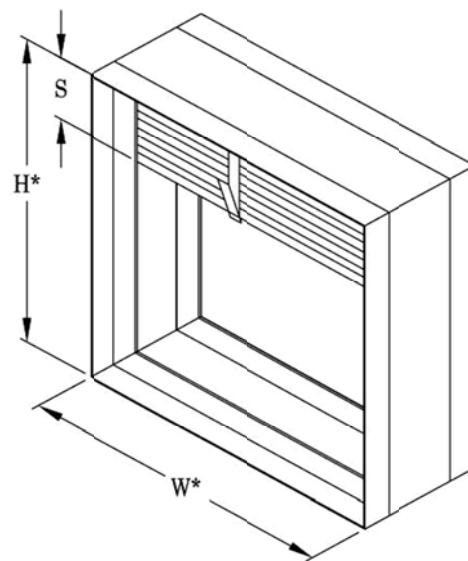
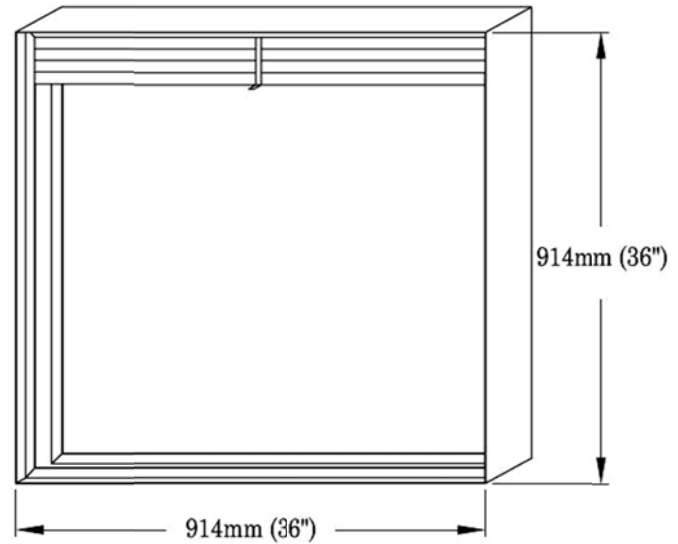
SIZE LIMITATIONS

| mm (inches) | Vertical Single Section |
|-------------|-------------------------|
| Minimum | 102 x 102 (4" x 4") |
| Maximum | 914 x 914 (36" x 36") |

Blade Stack Dimensions

| H* | S |
|-----------|-----|
| 102 (4") | 20 |
| 127 (5") | 20 |
| 152 (6") | 23 |
| 178 (7") | 28 |
| 203 (8") | 30 |
| 229 (9") | 33 |
| 254 (10") | 33 |
| 279 (11") | 36 |
| 305 (12") | 41 |
| 330 (13") | 43 |
| 356 (14") | 46 |
| 381 (15") | 46 |
| 406 (16") | 51 |
| 432 (17") | 53 |
| 457 (18") | 56 |
| 483 (19") | 58 |
| 508 (20") | 61 |
| 533 (21") | 66 |
| 559 (22") | 66 |
| 584 (23") | 69 |
| 610 (24") | 74 |
| 635 (25") | 79 |
| 660 (26") | 81 |
| 686 (27") | 81 |
| 711 (28") | 84 |
| 737 (29") | 86 |
| 762 (30") | 91 |
| 787 (31") | 94 |
| 813 (32") | 94 |
| 838 (33") | 99 |
| 864 (34") | 99 |
| 889 (35") | 104 |
| 914 (36") | 107 |

Maximum Single Section



*These dimensions are furnished approximately 1/4" (6mm) undersize

FD-10 TYPE B

SIZING DATA

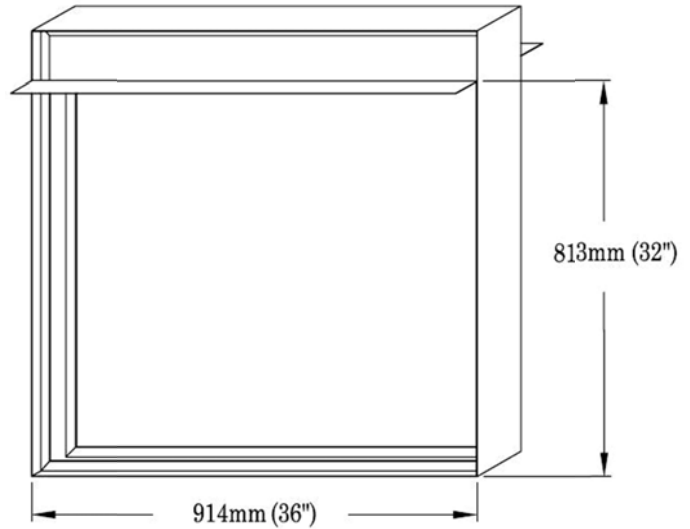
Damper maximum single section size is supplied in one section. If ordered with a factory sleeve, single-section dampers are factory assembled ready for installation. If ordered without a factory sleeve, single-section dampers require field assembly. (See IGC Fire Damper Installation Instructions)

The following chart and illustrations show minimum and maximum damper section size and assembly configurations for single section.

SIZE LIMITATIONS (B Transition)

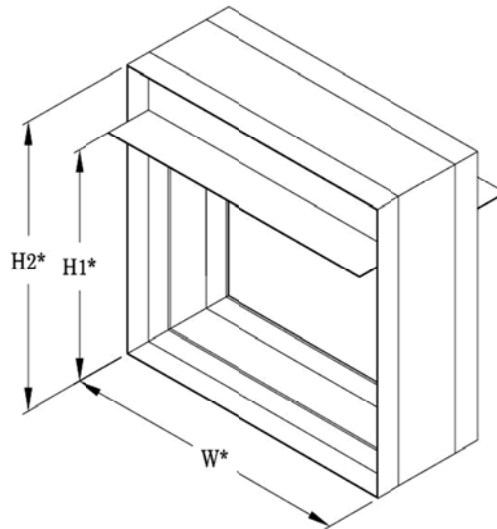
| mm (inches) | Vertical Single Section |
|-------------|-------------------------|
| Minimum | 102 x 102 (4" x 4") |
| Maximum | 914 x 813 (36" x 32") |

Maximum Single Section



Blade Stack Dimensions (Nominal)

| H1* | H2* |
|-----------|-----------|
| 102 (4") | 152 (6") |
| 127 (5") | 178 (7") |
| 152 (6") | 203 (8") |
| 178 (7") | 229 (9") |
| 203 (8") | 254 (10") |
| 229 (9") | 279 (11") |
| 254 (10") | 305 (12") |
| 279 (11") | 330 (13") |
| 305 (12") | 356 (14") |
| 330 (13") | 381 (15") |
| 356 (14") | 406 (16") |
| 381 (15") | 457 (18") |
| 406 (16") | 483 (19") |
| 432 (17") | 508 (20") |
| 457 (18") | 533 (21") |
| 483 (19") | 559 (22") |
| 508 (20") | 584 (23") |
| 533 (21") | 610 (24") |
| 559 (22") | 660 (26") |
| 584 (23") | 686 (27") |
| 610 (24") | 711 (28") |
| 635 (25") | 737 (29") |
| 660 (26") | 762 (30") |
| 686 (27") | 787 (31") |
| 711 (28") | 813 (32") |
| 737 (29") | 838 (33") |
| 762 (30") | 864 (34") |
| 787 (31") | 889 (35") |
| 813 (32") | 914 (36") |



*These dimensions are furnished approximately 1/4"(6mm) undersize

FD-10 TYPE C & CR

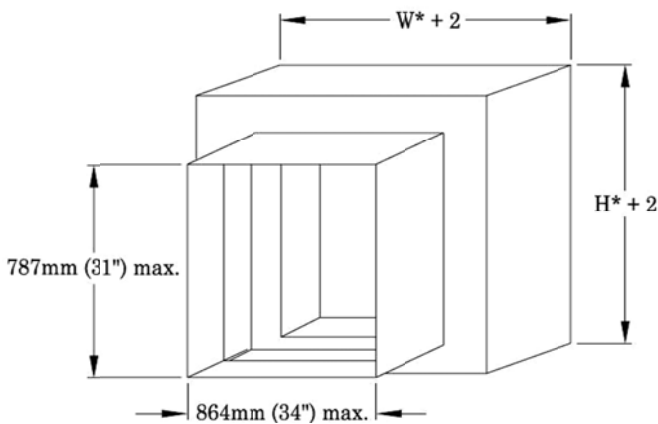
SIZING DATA

Damper maximum single section size is supplied in one section. If ordered with a factory sleeve, single-section dampers are factory assembled ready for installation. If ordered without a factory sleeve, single-section dampers require field assembly. (See IGC Fire Damper Installation Instructions)

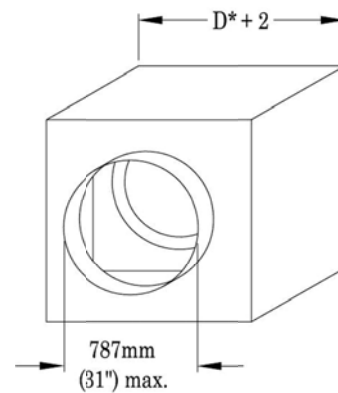
The following chart and illustrations show minimum and maximum damper section size and assembly configurations for single section.

SIZE LIMITATIONS

| mm (inches) | Type C | | Type R | |
|-------------------------|-------------------|-----------------------|---------|-----------|
| | Minimum | Maximum | Minimum | Maximum |
| Vertical Single Section | 76 x 76 (3" x 3") | 864 x 787 (34" x 31") | 76 (3") | 787 (31") |



TYPE C



TYPE CR

