
STATIONARY LOUVER

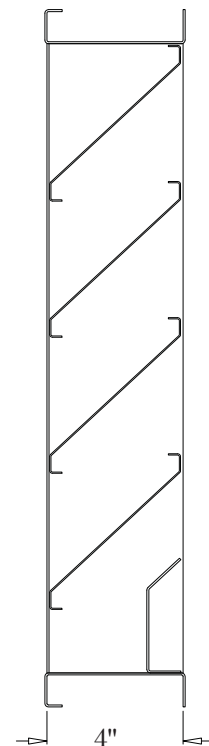
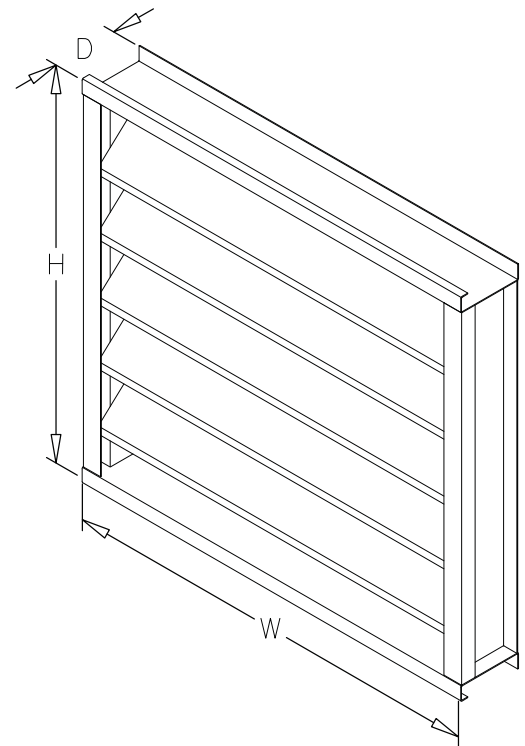
STEEL

DESCRIPTION

L-4S is a weather louver designed to protect air intake and exhaust openings in building exterior walls. Design incorporates steel stationary non-drainable blades, sloped sill and high free area to provide maximum resistance to rain and weather while providing minimum resistance to airflow.

STANDARD CONSTRUCTION

- Frame:** 4" (102 mm) deep channel,
16 gauge (1.6 mm) thick galvanized steel
- Blades:** 16 gauge (1.6 mm) thick galvanized steel
45° angle on 4" (100 mm) centres
- Screen:** 13 mm removable wire mesh
Bird screen. Located on interior
- Construction:** Mechanically fastened and welded
- Finish:** Mill with touch up on welds
- Dimensions:** Minimum size: 12" x 12" (300mm x 300mm)
Maximum size: 96" x 96" (2400mm x 2400mm)
(single section)
Maximum multiple section size: Unlimited
"W" (width) and "H" (height) are opening sizes.
Louvers are made 6 mm undersized.



OPTIONS

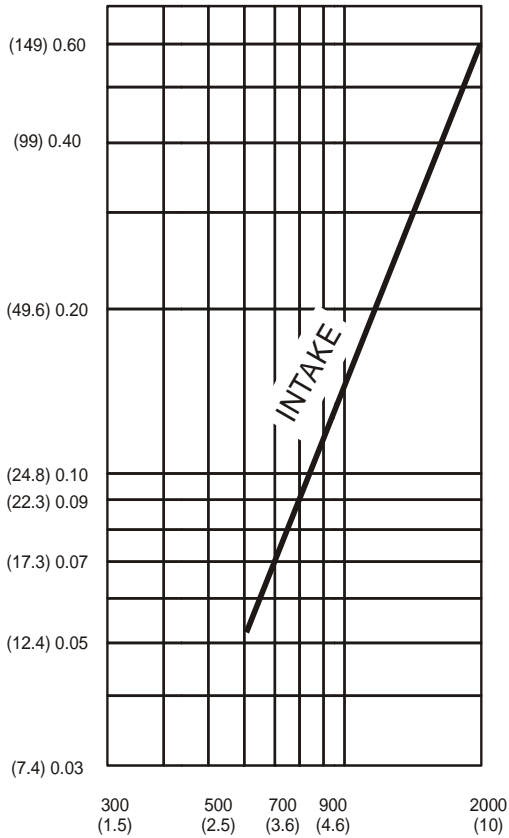
- Variety of Bird and Insect Screens
- Flanged Frame
- Filter Rack
- Washable Filters
- Hinged Frame
- Clip Angles
- Stainless Steel Construction
- Selection of Finishes: Super Durable Polyester Powder coatings, Kynar and PVF.

L-4S PERFORMANCE DATA

Below performance charts are based on tests performed at Cert-Aire Laboratory at Arlington Heights, Illinois based on AMCA Publication 511 for Air Performance and Water Penetration.

Free Area: 51% for 48" x 48" (1.22m x 1.22m) test size.

PRESSURE DROP



VELOCITY THROUGH FREE AREA FPM (meters/sec.)

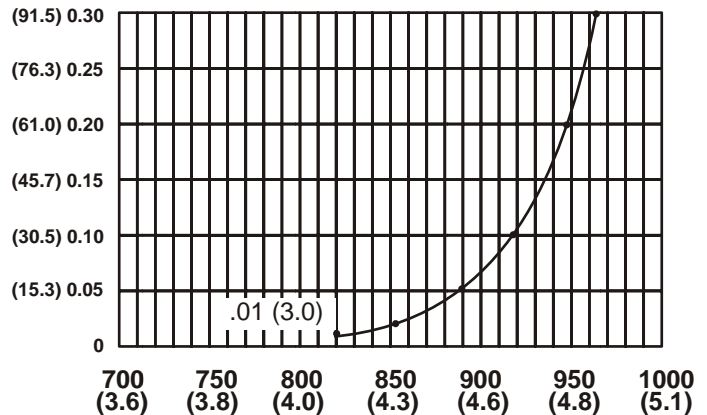
standard air - .075 lbs. per cu. ft.

Ratings do not include the effect of a bird screen

FREE AREA IN SQUARE FEET (sq. meters)

| | | WIDTH | | | | | | | | |
|--------|------|-------|-------|-------|-------|-------|-------|-------|-------|----|
| | | in. | 12 | 24 | 36 | 48 | 60 | 72 | 84 | 96 |
| HEIGHT | mm | 304 | 609 | 914 | 1219 | 1524 | 1828 | 2133 | 2438 | |
| | 12 | 0.29 | 0.66 | 1.04 | 1.41 | 1.79 | 2.12 | 2.49 | 2.87 | |
| | 304 | 0.03 | 0.06 | 0.10 | 0.13 | 0.17 | 0.20 | 0.23 | 0.27 | |
| | 24 | 0.69 | 1.59 | 2.49 | 3.40 | 4.30 | 5.08 | 5.98 | 6.88 | |
| | 609 | 0.06 | 0.15 | 0.23 | 0.32 | 0.40 | 0.47 | 0.56 | 0.64 | |
| | 36 | 1.18 | 2.70 | 4.22 | 5.75 | 7.27 | 8.61 | 10.13 | 11.66 | |
| | 914 | 0.11 | 0.25 | 0.39 | 0.53 | 0.68 | 0.80 | 0.94 | 1.08 | |
| | 48 | 1.68 | 3.85 | 6.03 | 8.21 | 10.38 | 12.29 | 14.47 | 16.64 | |
| | 1219 | 0.16 | 0.36 | 0.56 | 0.76 | 0.96 | 1.14 | 1.34 | 1.55 | |
| | 60 | 2.08 | 4.77 | 7.47 | 10.16 | 12.85 | 15.21 | 17.90 | 20.60 | |
| | 1524 | 0.19 | 0.44 | 0.69 | 0.94 | 1.19 | 1.41 | 1.66 | 1.91 | |
| | 72 | 2.57 | 5.90 | 9.24 | 12.57 | 15.91 | 18.82 | 22.16 | 25.49 | |
| | 1828 | 0.24 | 0.55 | 0.86 | 1.17 | 1.48 | 1.75 | 2.06 | 2.37 | |
| 84 | 2.97 | 6.83 | 10.69 | 14.55 | 18.41 | 21.79 | 25.65 | 2.51 | | |
| 2133 | 0.28 | 0.63 | 0.99 | 1.35 | 1.71 | 2.02 | 2.38 | 2.74 | | |
| 96 | 3.46 | 7.94 | 12.42 | 16.91 | 21.39 | 25.31 | 29.80 | 34.28 | | |
| 2438 | 0.32 | 0.74 | 1.15 | 1.57 | 1.99 | 2.35 | 2.77 | 3.18 | | |

WATER PENETRATION



VELOCITY THROUGH FREE AREA FPM (meters/sec.)

Both maximum recommended free area velocity and beginning of water penetration are 822 fpm at standard air- .075 lbs. per cu. ft. The above water penetration data is based on mill finish, 48" x 48" test size.

