

## VOLUME CONTROL DAMPER

### *Grille Access*

### DESCRIPTION

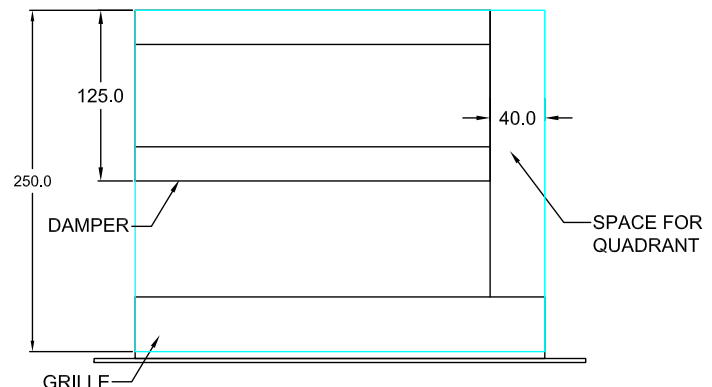
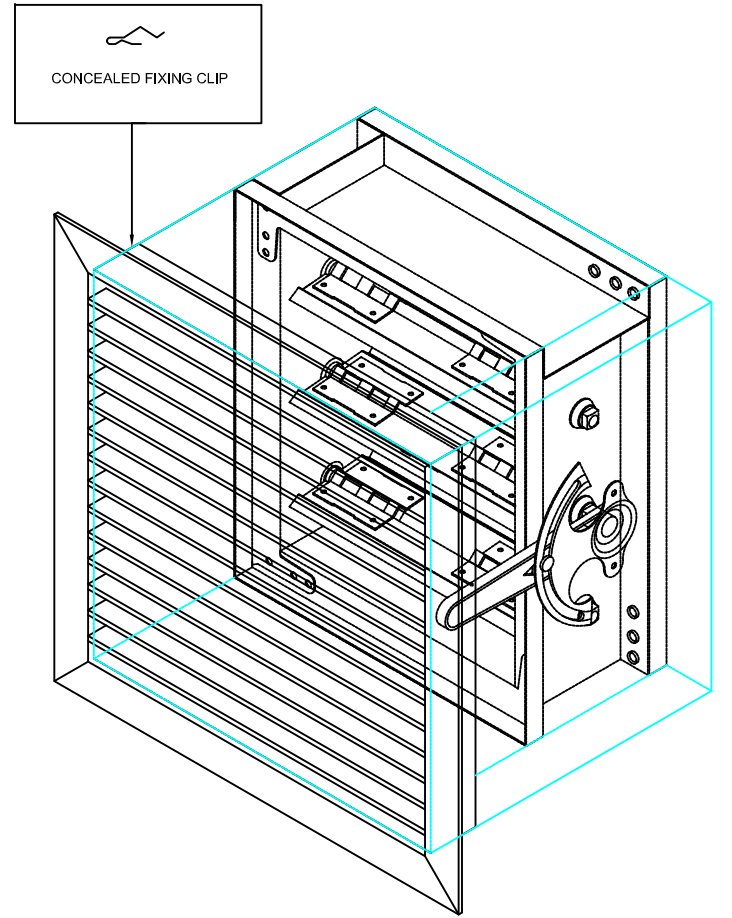
GVD-2 is a low leakage control damper designed for easy access through the grille to the damper, and the damper operator. A 40 mm wide separate compartment on the side of the damper houses the damper operator for a minimum depth of 250 mm. Model GVD-2 is intended for application in medium pressure and velocity systems (up to 5.0 in. w.g. pressure differential and 3000 fpm velocity)

### STANDARD CONSTRUCTION

<b>Damper Frame:</b>	125 mm deep channel frame 1.5 mm thick galvanized steel
<b>Damper Blades:</b>	1.5 mm thick galvanized steel 3-V shaped
<b>Blade Seals:</b>	TPE blade seals
<b>Bearings:</b>	Synthetic bearings
<b>Axle:</b>	13 mm diameter plated steel
<b>Linkage:</b>	Plated steel side concealed in frame
<b>Damper Finish:</b>	Mill Finish
<b>Sleeve:</b>	250 mm deep 1.5 mm thick galvanized steel
<b>Grille:</b>	30 mm flanged x 45 mm deep frame Extruded aluminum construction Concealed fixing clips
<b>Grille Finish:</b>	Powder coated to any RAL color
<b>Dimensions:</b>	Minimum size: 150 mm x 150 mm Maximum size: 1200 mm x 1200 mm

### OPTIONS

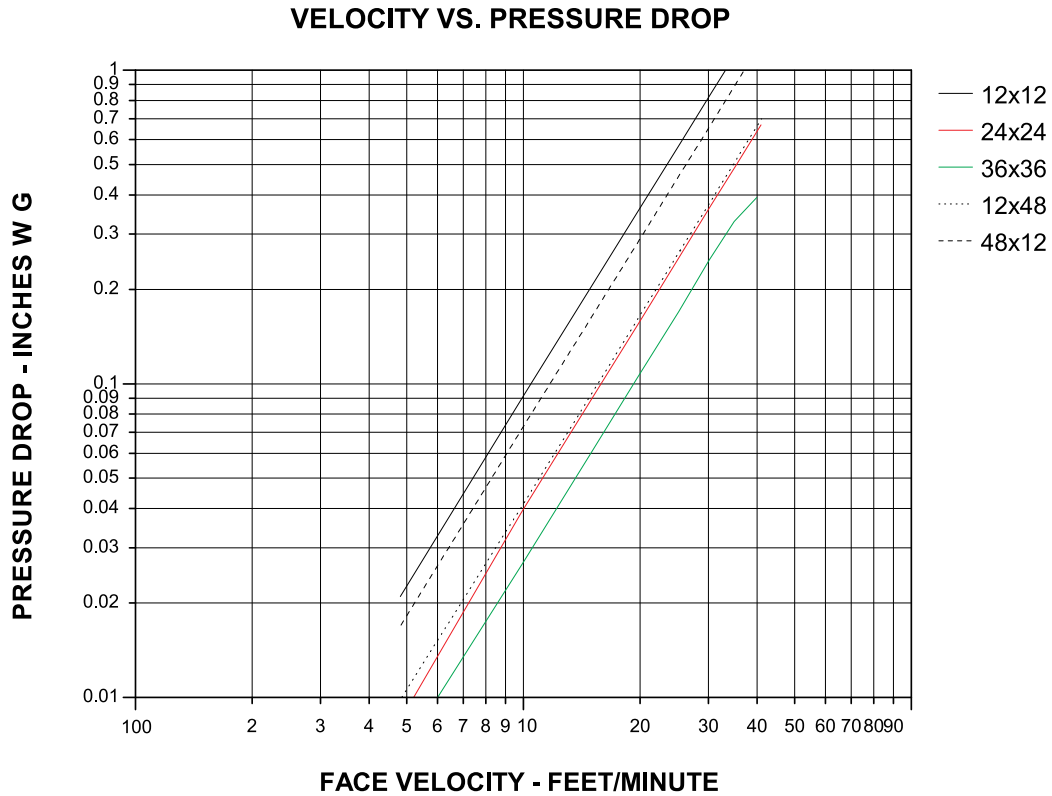
- Optional electric actuators
- Variety of sleeve lengths
- Heavier galvanized steel construction
- Stainless steel construction
- Variety of grille configurations and finishes



TOP VIEW

## VD-2 PERFORMANCE DATA

**PRESSURE DROP:** Below pressure drop data was obtained from tests conducted in accordance with AMCA Standard 500-D. Actual pressure drop found in any HVAC system is a combination of many factors. This pressure drop information along with an analysis of other system influences should be used to estimate actual pressure losses for a damper installed in a given HVAC system.



**LEAKAGE:** Below Leakage data was obtained from tests conducted in accordance with AMCA Standard 500.

Pressure Differential (in. w.g.)	Leakage (cfm/ft <sup>2</sup> )
1 in. w.g.	3 cfm/ft <sup>2</sup>
4 in. w.g.	6 cfm/ft <sup>2</sup>

