
AIRFOIL VOLUME CONTROL DAMPER

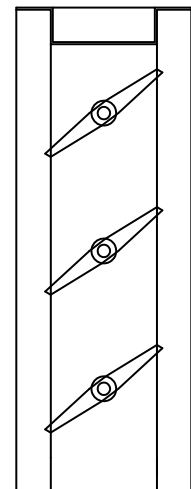
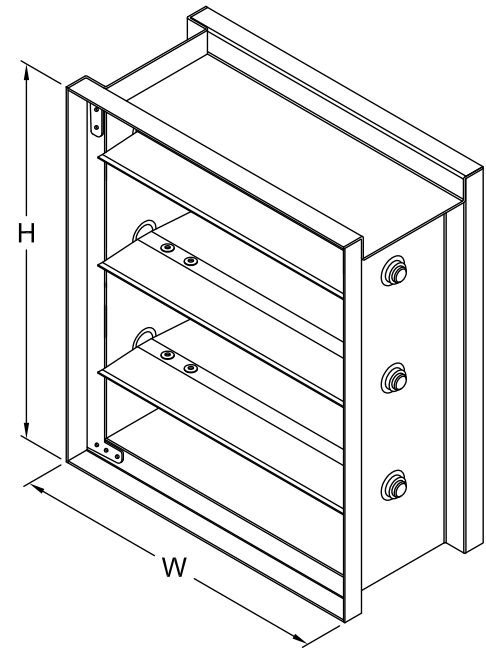
Low Leakage

DESCRIPTION

VD-3 is a low leakage control damper with steel airfoil blades intended for application in medium to high pressure and velocity systems (up to 8.0 in. w.g. pressure differential and 4000 fpm velocity)

STANDARD CONSTRUCTION

- Frame:** 5" deep (127 mm) deep channel frame
16 gauge (1.6 mm) thick galvanized steel
- Blades:** 14 gauge (2.0 mm) equivalent galvanized steel
Airfoil Shaped
- Blade Seals:** Silicone blade seals
- Bearings:** Synthetic bearings
- Axle:** ½" (13 mm) diameter plated steel
- Linkage:** Plated steel side linkage concealed in frame
- Finish:** Mill Finish
- Dimensions:** Minimum size: 150 mm x 150 mm
Maximum size: 1200 mm x 2400 mm
(single section)
Multiple sections size: Unlimited
"W" (width) and "H" (height) are opening sizes.
Dampers are made 6 mm undersized.

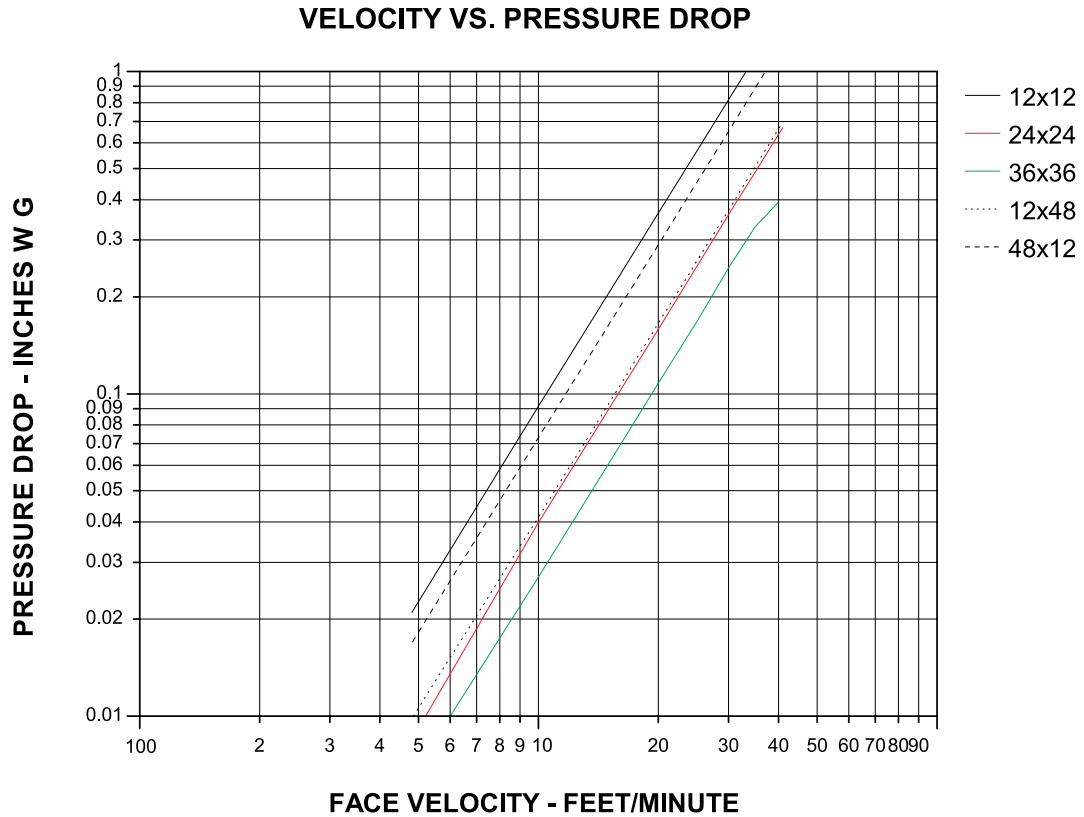


OPTIONS

- Lockable hand quadrant for manual operation
- Electric Actuators: 24 V or 230 V
- Factory mounted sleeve
- Retaining Angles
- Heavier gauge galvanized steel construction
- Stainless steel construction
- Stainless steel linkage and bearings
- Bronze bearings
- Flanged frame
- Special finishes

VD-3 PERFORMANCE DATA

PRESSURE DROP: Below pressure drop data was obtained from tests conducted in accordance with AMCA Standard 500-D. Actual pressure drop found in any HVAC system is a combination of many factors. This pressure drop information along with an analysis of other system influences should be used to estimate actual pressure losses for a damper installed in a given HVAC system.



LEAKAGE: Below Leakage data was obtained from tests conducted in accordance with AMCA Standard 500.

Pressure Differential (in. w.g.)	Leakage (cfm/ft ²)
1 in. w.g.	3 cfm/ft ²
4 in. w.g.	6 cfm/ft ²

