

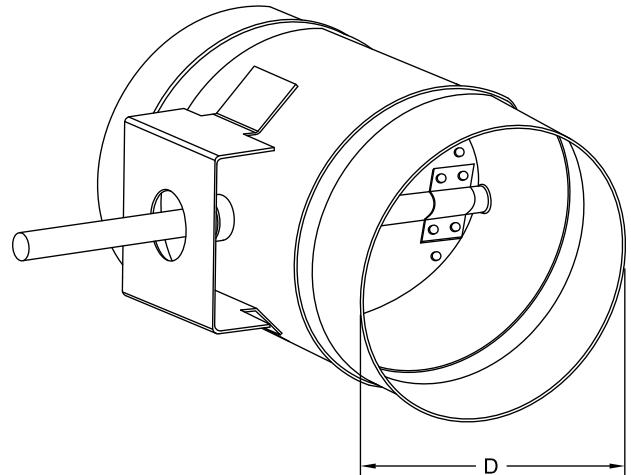
## ROUND VOLUME CONTROL DAMPER

### DESCRIPTION

VDR-1 is a round control damper intended for application in medium pressure and velocity systems (up to 5.0 in. w.g. pressure differential and 3000 fpm velocity)

### STANDARD CONSTRUCTION

<b>Frame:</b>	20 gauge (1.0 mm) thick galvanized steel 8" (200 mm) deep frame
<b>Blades:</b>	Double skin galvanized steel Single blade
<b>Bearings:</b>	Synthetic bearings
<b>Axle:</b>	½" (13 mm) diameter plated steel
<b>Finish:</b>	Mill Finish
<b>Dimensions:</b>	Minimum Diameter: 4" (100 mm) Maximum Diameter: 24" (600 mm) Dampers are made 3 mm undersized.



### OPTIONS

- Electric Actuators: 24 V or 230 V
- Heavier gauge galvanized steel construction
- Stainless steel con
- Stainless steel linkage and bearings
- Bronze bearings
- Special finishes

**Leakage**  
24 in. Diameter Damper

