

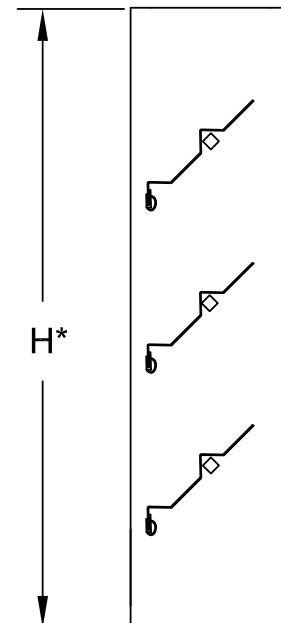
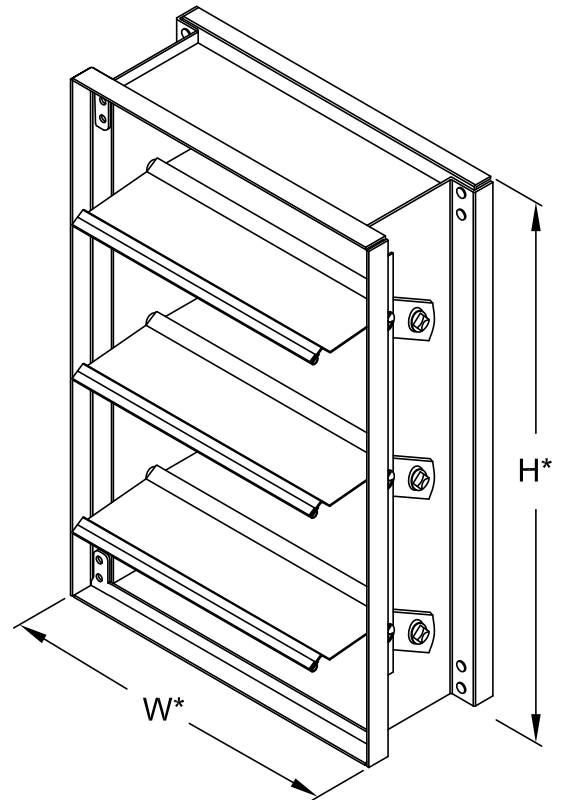
HEAVY DUTY COUNTERBALANCED BACKDRAFT DAMPER

DESCRIPTION

BDS is a heavy duty backdraft damper with single thickness blades. It is designed to prevent backflow and to provide shut off in HVAC or industrial process systems. External heavy duty linkage, blade counterbalance, and ball bearings are standard.

STANDARD CONSTRUCTION

Frame:	16 gauge (1.6 mm) thick galvanized steel
Blades:	18 gauge (1.2 mm) thick galvanized steel 2-V shaped
Bearings:	Ball bearings pressed into frame
Axle:	½" (13 mm) diameter plated steel
Linkage:	Heavy gauge galvanized steel side linkage concealed in frame
Counterbalance:	Adjustable blade mounted counterbalanced weights
Finish:	Mill Finish
Dimensions:	Minimum size: 150 mm x 150 mm Maximum size: 1200 mm x 2400 mm (single section) Multiple sections available. "W" (width) and "H" (height) are opening sizes. Dampers are made 6 mm undersized.



OPTIONS

- Heavier gauge galvanized steel construction
- Stainless steel construction
- Blade seals
- Flanged frame
- Special finishes

BDS PERFORMANCE DATA

Below performance charts are based on tests performed in accordance with AMCA Standard 500-D using a test size of 36" x 36" (914 mm x 914 mm).

