

ROUND VOLUME CONTROL DAMPER

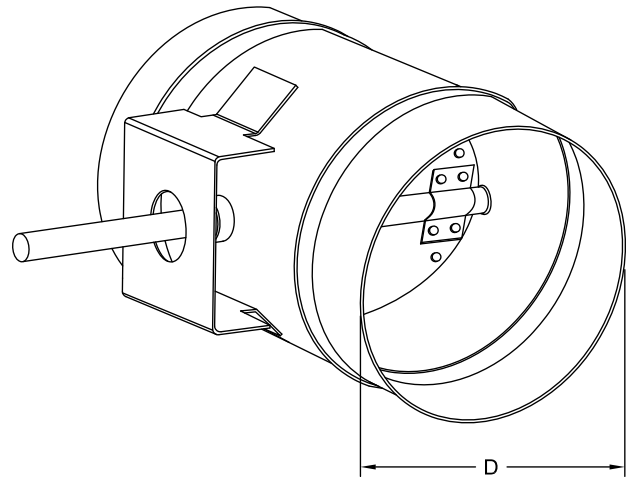
Low Leakage

DESCRIPTION

VDR-2 is a low leakage round control damper intended for application in medium pressure and velocity systems (up to 5.0 in. w.g. pressure differential and 3000 fpm velocity)

STANDARD CONSTRUCTION

Frame:	20 gauge (1.0 mm) thick galvanized steel 8" (200 mm) deep frame
Blades:	Double skin galvanized steel Single blade
Blade Seals:	Silicone blade seals
Bearings:	Synthetic bearings
Axle:	½" (13 mm) diameter plated steel
Finish:	Mill Finish
Dimensions:	Minimum Diameter: 4" (100 mm) Maximum Diameter: 24" (600 mm) Dampers are made 3 mm undersized.



OPTIONS

- Electric Actuators: 24 V or 230 V
- Heavier gauge galvanized steel construction
- Stainless steel construction
- Stainless steel linkage and bearings
- Bronze bearings
- Special finishes

