

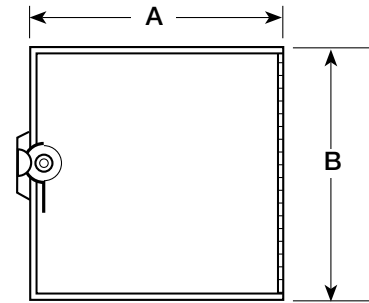
ACCESS DOOR

DESCRIPTION

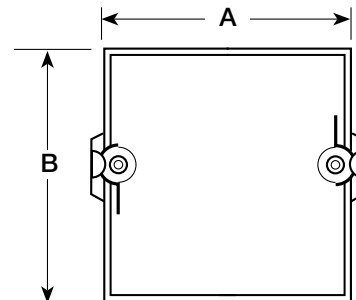
Models CAD (Cam) and HAD (Hinged) are duct access doors for use in systems with 4 ½” static pressure rating.

STANDARD CONSTRUCTION

- Frame:** 24 gauge galvanized steel
(6 inch x 6 inch – 12 inch x 12 inch)
22 GA. Galvanized steel
(14 inch x 14 inch – 24 inch x 24 inch)
- Door Panel:** 24 gauge galvanized steel
(both sides of insulation)
- Insulation:** 1” thick fiberglass
- Gasket:** ½ inch compressible synthetic type
(Door to frame and frame to duct)
- Hinge (HAD):** Continuous piano type
- Latches:** Plated steel with galvanized steel strikes
- Finish:** Mill
- Options:** 304 and 316 Stainless Steel Construction
2” thick fiberglass insulation



Model HAD
Hinged Type



Model CAD
Cam Type

SCHEDULE								
ITEM	MODEL QTY		NOMINAL SIZE	'A' WIDTH	'B' HEIGHT	DUCT OPENING	LATCH(ES) QTY	
	HAD	CAD					HAD	CAD
			6 x 6	6	6	5 1/4 x 5 1/4	1	2
			8 x 8	8	8	7 1/4 x 7 1/4	1	2
			10 x 10	10	10	5 1/4 x 5 1/4	1	2
			12 x 12	12	12	11 1/4 x 11 1/4	1	2
			14 x 14	14	14	13 1/4 x 13 1/4	1	2
			16 x 16	16	16	14 1/4 x 14 1/4	2	4
			18 x 18	18	18	17 1/4 x 17 1/4	2	4
			20 x 20	20	20	19 1/4 x 19 1/4	2	4
			24 x 24	24	24	23 x 23	2	4