

# Louver Products



# MODEL: STL-A DESIGN & CONSTRUCTION FEATURES



## Description

Model STL-A Extruded Aluminium Sand Trap Louver are designed for removal of dust and sand particles. A double layer of vertical blades design provides low pressure drop, high sand removal efficiency and vision proof design.

## Standard Construction

### Frame:

100 mm deep channel, 2.0 mm thick aluminium steel

### Blades:

2.0 mm thick Aluminium steel, vertical, sight proof

### Screen:

13 mm removable expanded aluminium bird screen. Located on interior

### Construction:

Mechanically fastened

### Finish:

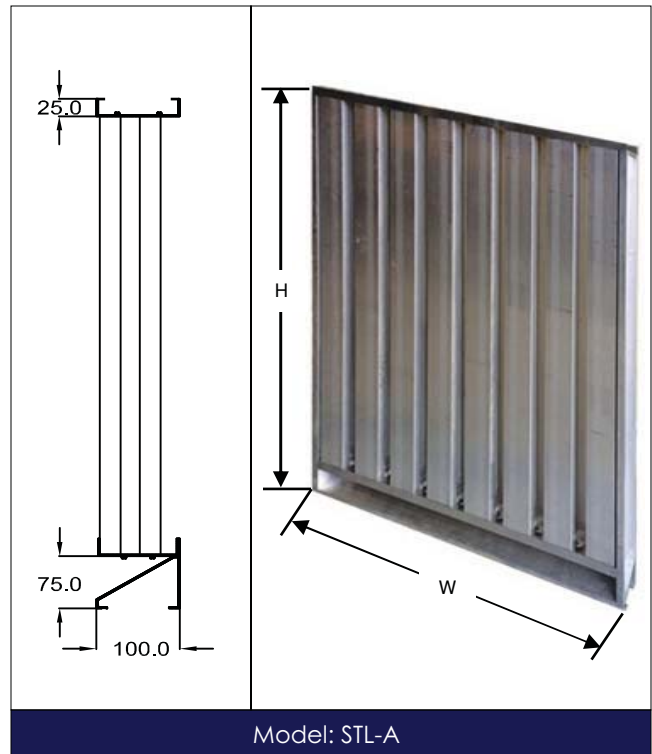
Mill

### Dimensions:

#### Single Section Size:

Minimum size: 300 mm x 300 mm

Maximum size: 2400 mm x 2400 mm



Maximum multiple section size: Unlimited  
"W" (width) and "H" (height) are opening sizes. Louvers are made 6 mm undersized.

## Options

- Galvanized Construction
- Variety of Bird and Insect Screens
- 304 or 316 Stainless Steel Construction
- Flanged Frame
- Filter Rack
- Washable Filters
- Hinged Frame
- Clip Angles
- Selection of Finishes: Super Durable Polyester Powder coatings, Kynar/PVF and anodized.

## Features and Specifications

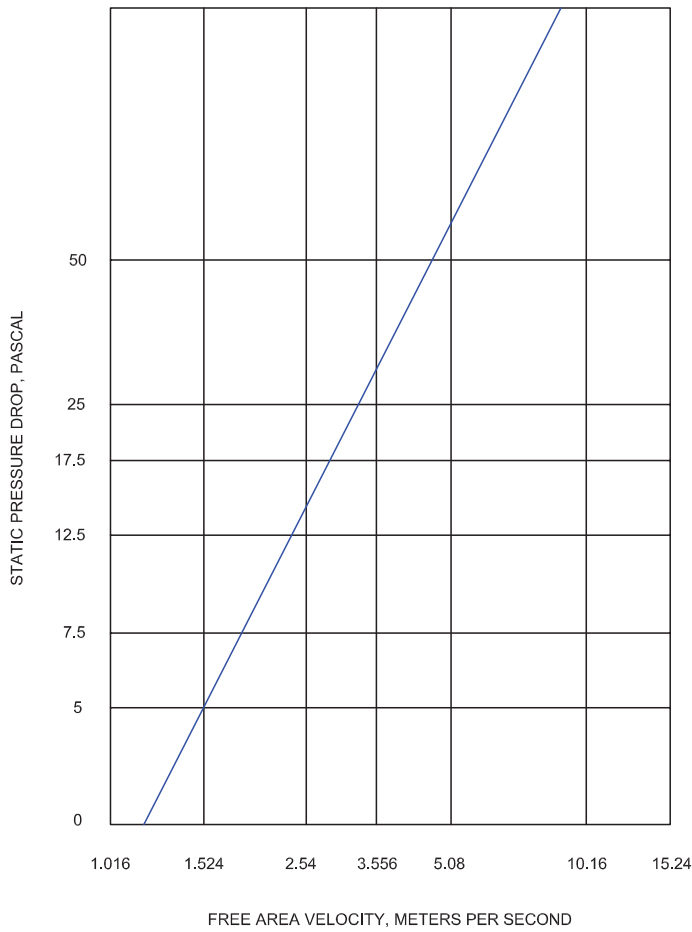
- Low pressure drop
- Sand efficiency removal of approximately 90% measured during tests described in AASHRAE Standard 52-776 test method.
- Sight proof design.
- Withstand a basic wind speed of 145 KKPH (equivalent of a wind load of 0.966 kPa)

# MODEL: STL-A PERFORMANCE DATA

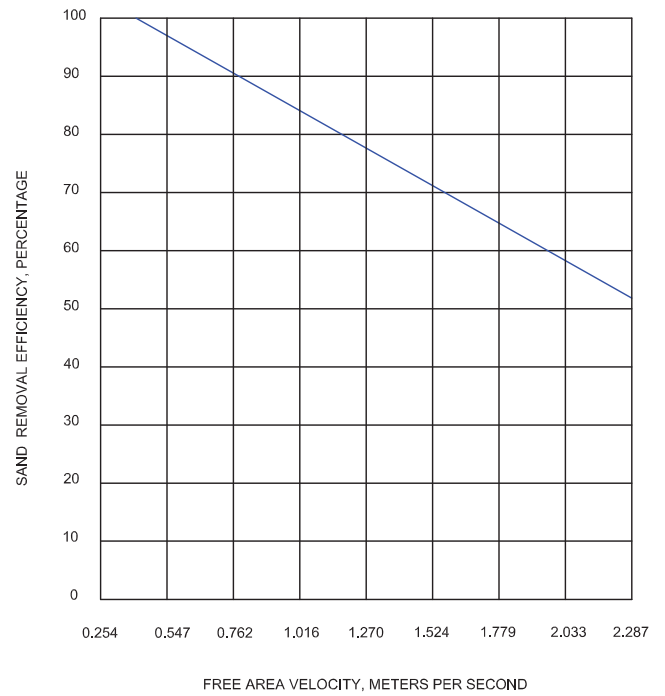


Below STL-A performance charts are based on tests performed at Cert-Aire Laboratory at Arlington Heights, Illinois based on AMCA Publication 511 for Air Performance and Water Penetration and ASHRAE Standard 52-76 for sand removal.

### PRESSURE DROP



### SAND REMOVAL EFFICIENCY



# MODEL: STL DESIGN & CONSTRUCTION FEATURES



## Description

Model - STL Sand Trap Louver are designed for removal of dust and sand particles. A double layer of vertical blades design provides low pressure drop, high sand removal efficiency and vision proof design.

## Standard Construction

### Frame:

100 mm deep channel, 1.2 mm thick galvanized steel

### Blades:

1.2 mm thick galvanized steel, vertical, sight proof

### Screen:

13 mm removable expanded aluminium bird screen. Located on interior

### Construction:

Mechanically fastened and welded

### Finish:

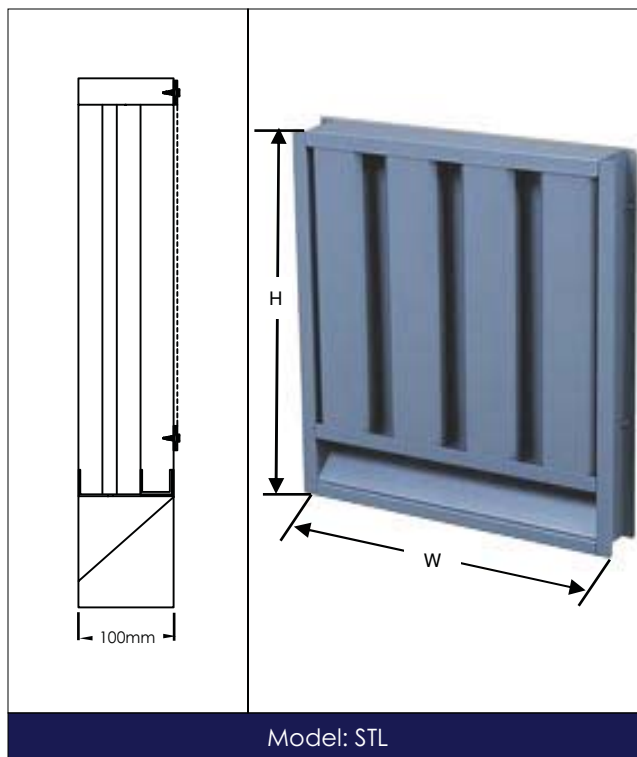
Mill with touch up on welds

### Dimensions:

Single Section Size:

Minimum size: 300 mm x 300 mm

Maximum size: 2400 mm x 2400 mm



Maximum multiple section size: Unlimited  
"W" (width) and "H" (height) are opening sizes. Louvers are made 6 mm undersized.

## Options

- Aluminum Construction
- 1.6 mm Galvanized Steel Construction
- Variety of Bird and Insect Screens
- 304 or 316 Stainless Steel Construction
- Flanged Frame
- Filter Rack
- Washable Filters
- Hinged Frame
- Clip Angles
- Selection of Finishes: Super Durable Polyester Powder coatings, Kynar/PVF and anodized.

## Features and Specifications

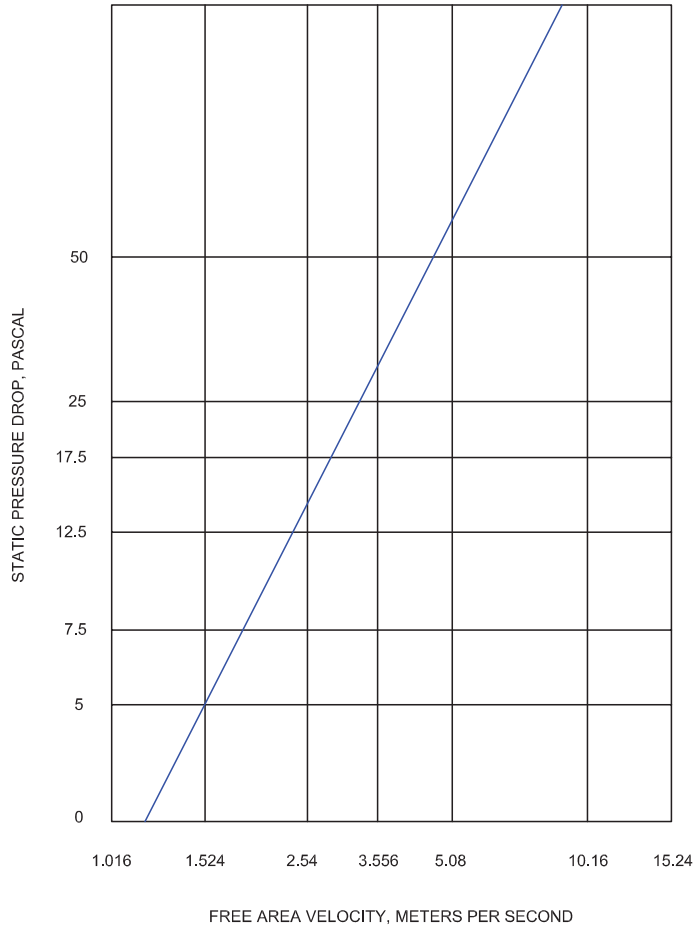
- Low pressure drop
- Sand efficiency removal of approximately 90% measured during tests described in AASHRAE Standard 52-776 test method.
- Sight proof design.
- Withstand a basic wind speed of 145 KPH (equivalent of a wind load of 0.966 kPa)

# MODEL: STL PERFORMANCE DATA

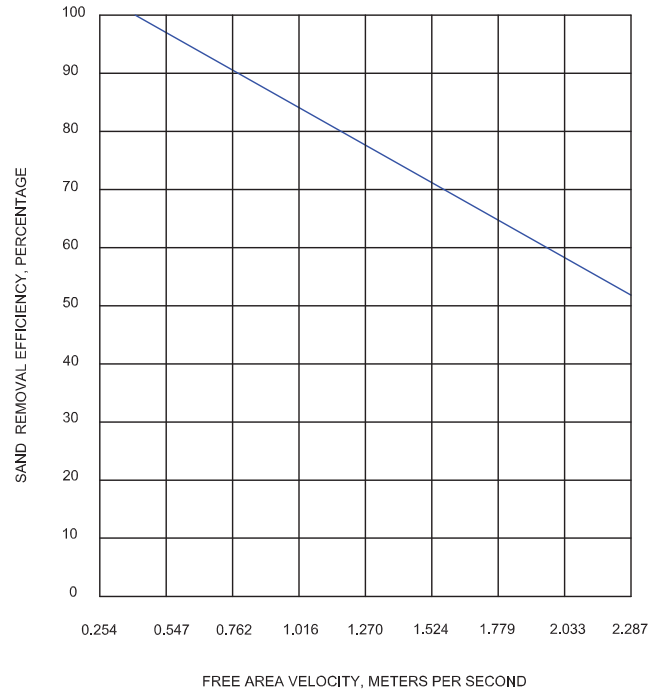


Below STL performance charts are based on tests performed at Cert-Aire Laboratory at Arlington Heights, Illinois based on AMCA Publication 511 for Air Performance and Water Penetration and ASHRAE Standard 52-76 for sand removal.

### PRESSURE DROP



### SAND REMOVAL EFFICIENCY



# MODEL: SSL DESIGN & CONSTRUCTION FEATURES



## Description

Model - SSL Sand Storm Louvers are designed for removal of wind driven sand particles. The SSL is designed to capture sand particles and remove them without the need for bleed fans to eliminate the collected sand. The SSL is 99% efficient at free air velocities 3 to 4 times higher than other sand elimination products.

The vertical chevron blade and hook provide maximum elimination with minimum resistance. As the air passes easily over the curve of the blade, the hook captures the particle, and gravity carries the particles in to the drain pan and out of the louver.

## Standard Construction

Frame:  
2.0 mm thick extruded aluminum  
200 mm deep

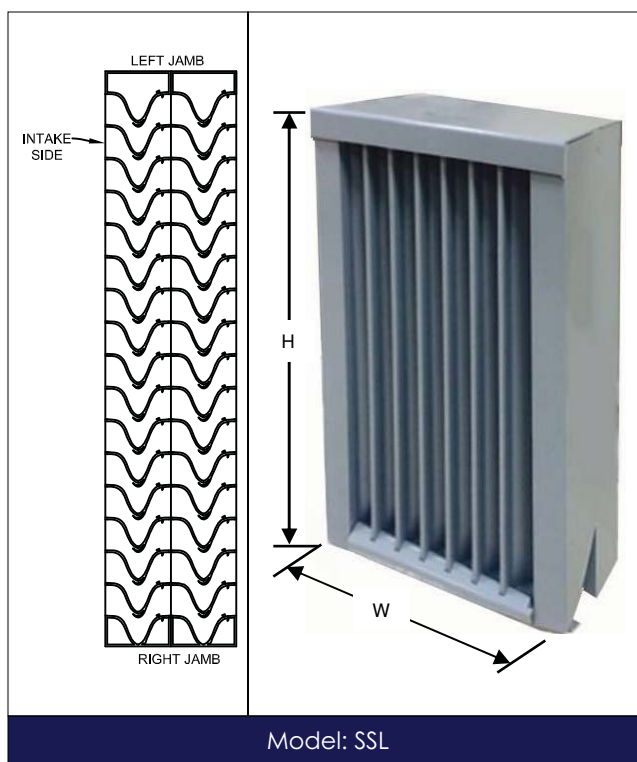
Blades:  
1.6 mm thick extruded aluminum  
vertical, sight proof

Construction:  
Welded Construction

Finish:  
Mill with touch up on welds

Dimensions:  
Minimum size: 300 mm x 450 mm  
Maximum size: 1200 mm x 2400 mm  
or 3000 mm x 1200 mm

Multiple section sizes available  
"W"(width) and "H"(height) are opening sizes.  
Louvers are made 6 mm undersized.



## Options

- Bird or Insect Screen (available as an option, but it is not required due to narrow blade spacing)
- Flanged Frame
- Filter Rack
- Washable Filters
- Hinged Frame
- Clip Angles
- Selection of Finishes:  
Super Durable Polyester Powder coatings, Kynar/PVF and anodized.

## Features and Specifications

- Low pressure drop, tested in accordance with AMCA Publication 511
- Tested for Sand Removal Efficiencies at up to 1600 fpm Velocity.
- Sand efficiency removal of approximately 99% measured during tests described in ASSHRAE Standard 52-776 test method.
- Sight proof design.
- Withstand a basic wind speed of 145 KPH (equivalent of a wind load of 0.966 kPa)

# MODEL: SSL PERFORMANCE DATA



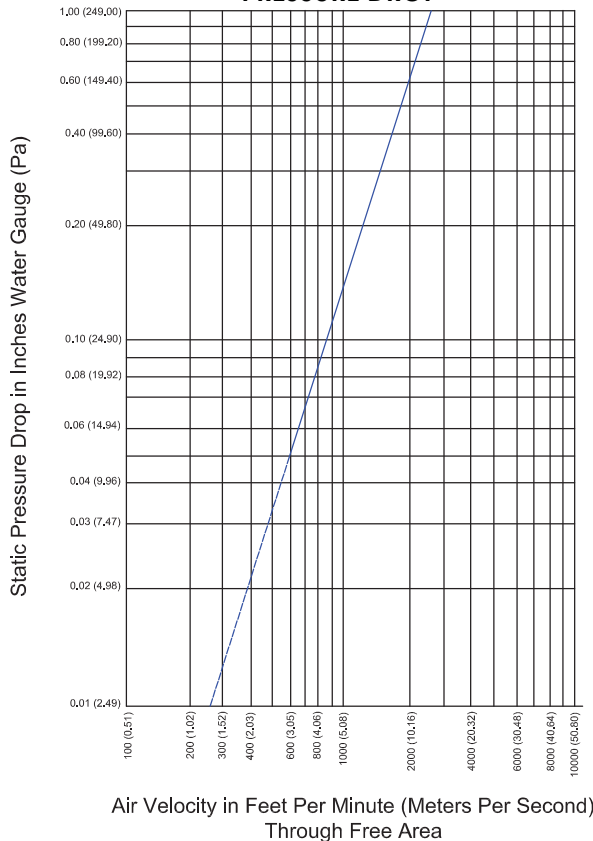
Below SSL performance charts are based on tests performed at Cert-Aire Laboratory at Arlington Heights, Illinois based on AMCA Publication 511 for Air Performance and Water Penetration and ASHRAE Standard 52-76 for sand removal.

## FREE AREA IN SQUARE FEET

Nominal Width in inches

	12	18	24	30	36	42	48	54	60	66	72	78	84	90	96	102	108	114	120	
	(11,585)	(17,210)	(22,835)	(29,585)	(35,210)	(40,835)	(47,585)	(53,210)	(58,835)	(65,585)	(71,210)	(76,835)	(83,585)	(89,210)	(94,835)	(101,585)	(107,210)	(112,835)	(119,585)	
18	.17	.28	.38	.51	.61	.72	.85	.95	1.06	1.19	1.29	1.40	1.53	1.63	1.74	1.86	1.97	2.08	2.20	
24	.30	.49	.68	.91	1.10	1.29	1.51	1.70	1.89	2.12	2.31	2.50	2.72	2.91	3.10	3.33	3.52	3.71	3.93	
30	.44	.71	.98	1.31	1.58	1.85	2.18	2.45	2.72	3.05	3.32	3.59	3.92	4.19	4.46	4.79	5.06	5.33	5.66	
36	.57	.92	1.28	1.71	2.06	2.42	2.84	3.20	3.55	3.98	4.33	4.69	5.12	5.47	5.83	6.25	6.61	6.96	7.39	
42	.70	1.14	1.58	2.10	2.54	2.98	3.51	3.95	4.38	4.91	5.35	5.79	6.31	6.75	7.19	7.72	8.16	8.59	9.12	
48	.83	1.36	1.88	2.50	3.03	3.55	4.17	4.69	5.22	5.84	6.36	6.88	7.51	8.03	8.55	9.18	9.70	10.22	10.85	
54	.97	1.57	2.18	2.90	3.51	4.11	4.84	5.20	5.81	6.41	7.14	7.74	8.34	9.07	9.68	10.28	10.64	11.37	11.97	
60	1.10	1.79	2.48	3.30	3.99	4.68	5.50	5.92	6.60	7.29	8.12	8.80	9.49	10.32	11.01	11.42	12.11	12.93	13.62	
66	1.23	2.00	2.78	3.70	4.47	5.24	6.17	6.63	7.40	8.17	9.10	9.87	10.64	11.10	12.03	12.80	13.57	14.49	15.26	
72	1.37	2.22	3.07	4.10	4.95	5.81	6.83	7.34	8.20	9.05	10.08	10.93	11.44	12.30	13.32	14.18	15.03	16.06	16.91	
78	1.50	2.44	3.37	4.50	5.44	6.37	7.50	8.06	9.00	9.93	11.06	11.62	12.56	13.50	14.62	15.56	16.49	17.62	18.56	
84	1.63	2.65	3.67	4.90	5.92	6.94	8.16	8.77	9.80	10.28	11.43	12.65	13.67	14.69	15.92	16.94	17.96	19.18	20.20	
90	1.77	2.87	3.97	5.30	6.40	7.50	8.83	9.49	10.59	11.26	12.36	13.68	14.79	15.89	17.92	18.32	19.42	20.74	21.85	
96	1.90	3.09	4.27	5.70	6.88	8.07	9.49	10.20	11.39	12.10	13.29	14.71	15.90	17.09	18.51	19.70	20.88	22.31	23.49	
	1 SECTION							2 SECTIONS				3 SECTIONS								

## PRESSURE DROP



## SAND REMOVAL EFFICIENCY

Pressure Drop	.10" W.G.	.20" W.G.	.30" W.G.
Free Area Velocity	940 fpm	1300 fpm	1600 fpm
Sand Area Velocity	Removal Efficiency	Removal Efficiency	Removal Efficiency
1-1100 MICRON	96.1 %	86.3%	74.3%
1100-1500 MICRON	99.9%	99.8%	99.2%

Data based on 24 x 24" (610 x 610 mm) louver. Test duration 15 minutes.

Both maximum recommended free area velocity and beginning of water penetration are 822 fpm at standard air- 075 lbs. per cu. ft. The above water penetration data is based on mill finish, 48" x 48" test size.

# MODEL: STL-8 DESIGN & CONSTRUCTION FEATURES



## Description

Model STL-8 Heavy Duty Sand Louvers are designed for removal of wind driven sand particles. The STL-8 is designed to capture sand and dust particles and remove them without the need for bleed fans to eliminate the collected sand. The STL-8 is 99% efficient at free area velocities 3 to 4 times higher than other sand elimination products. The double vertical sight proof blades provide 53% free area, maximum elimination, minimum pressure drop and architecturally pleasing appearance.

## Standard Construction

### Frame:

0.81" (2.0 mm) thick extruded aluminum  
8" (203 mm) deep

### Blades:

0.81" (2.0 mm) thick extruded aluminum  
Double vertical, sight proof

### Screen:

Removable expanded aluminium bird screen.  
Located on interior

### Construction:

Welded Construction

### Finish:

Mill with touch up on welds

### Dimensions:

#### Single Section Size:

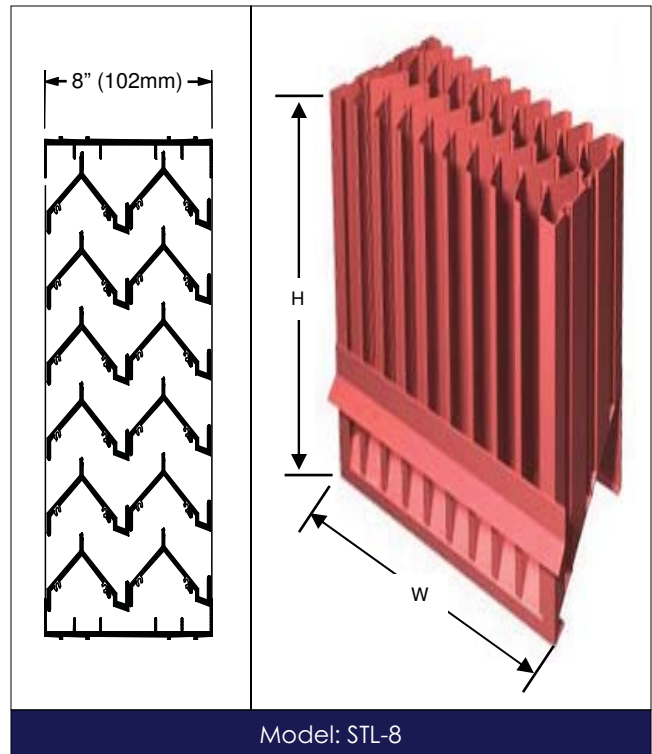
Minimum size: 12" (305 mm) x 12" (305 mm)

Maximum size: 96" (2438 mm) x 120" (3048 mm)

Multiple section sizes available

"W" (width) and "H" (height) are opening sizes.

Louvers are made 6 mm undersized.



## Options

- Bird or Insect Screen
- Flanged Frame
- Filter Rack
- Washable Filters
- Hinged Frame
- Clip Angles
- Selection of Finishes:  
Super Durable Powder coatings,  
Kynar/PVF and anodized.

## Features and Specifications

- 53% Free Area, 1200 x 12000 mm Test Size
- Low pressure drop, tested in accordance with AMCCA Publication 511
- Tested for Sand Removal Efficiencies at up to 1400 fpm Velocity.
- Sand efficiency removal of approximately 99% measured during tests described in ASSHRAE Standard 52-776 test method.
- Sight proof design.
- Withstand a basic wind speed of 145 KPH (equivalent of a wind load of 0.966 kPa)



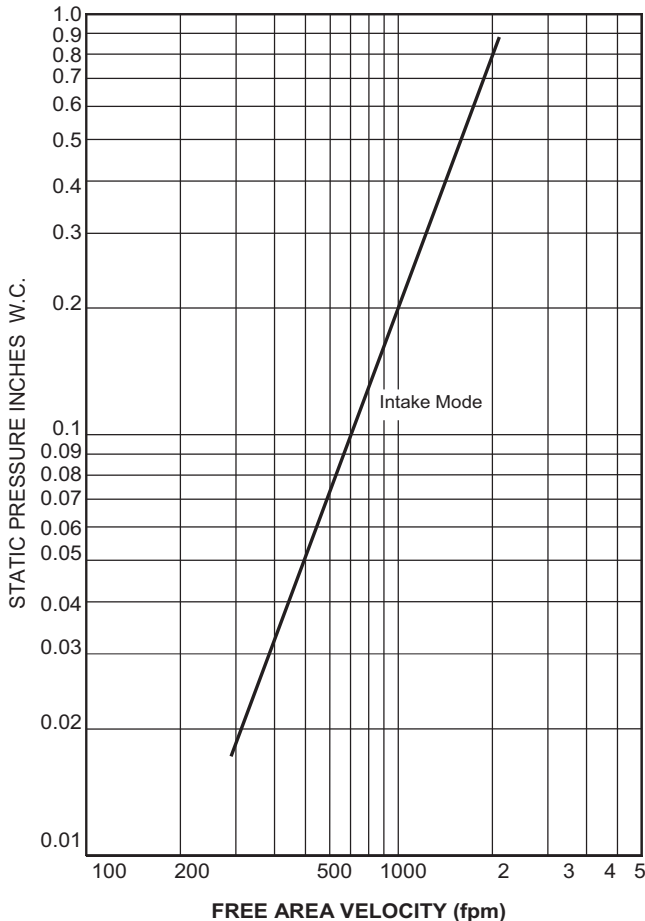
# MODEL: STL-8 PERFORMANCE DATA



Below STL-8 performance charts are based on tests performed at Cert-Aire Laboratory at Arlington Heights, Illinois based on AMCA Publication 511 for Air Performance and Water Penetration and ASHRAE Standard 52-76 for sand removal.

		FREE AREA CALCULATIONS IN SQ. FT.																		
		WIDTH																		
Inches		12	18	24	30	36	42	48	54	60	66	72	78	84	90	96	102	108	114	120
HEIGHT	12	0.21	0.34	0.47	0.60	0.73	0.85	0.98	1.11	1.24	1.37	1.49	1.62	1.75	1.88	2.01	2.13	2.26	2.39	2.52
	18	0.48	0.77	1.06	1.35	1.64	1.93	2.22	2.51	2.80	3.09	3.38	3.67	3.96	4.25	4.54	4.83	5.12	5.41	5.70
	24	0.75	1.20	1.66	2.11	2.56	3.01	3.46	3.91	4.36	4.82	5.27	5.72	6.17	6.62	7.07	7.52	7.98	8.43	8.88
	30	1.02	1.64	2.25	2.86	3.47	4.09	4.70	5.31	5.93	6.54	7.15	7.77	8.38	8.99	9.61	10.22	10.83	11.45	12.06
	36	1.29	2.07	2.84	3.62	4.39	5.17	5.94	6.72	7.49	8.27	9.04	9.82	10.59	11.37	12.14	12.92	13.69	14.46	15.24
	42	1.56	2.50	3.43	4.37	5.31	6.24	7.18	8.12	9.05	9.99	10.93	11.86	12.80	13.74	14.67	15.61	16.55	17.48	18.42
	48	1.83	2.93	4.03	5.13	6.22	7.32	8.42	9.52	10.62	11.72	12.81	13.91	15.01	16.11	17.21	18.31	19.40	20.50	21.60
	54	2.10	3.36	4.62	5.88	7.14	8.40	9.66	10.92	12.18	13.44	14.70	15.96	17.22	18.48	19.74	21.00	22.26	23.52	24.78
	60	2.37	3.79	5.21	6.63	8.06	9.48	10.90	12.32	13.74	15.17	16.59	18.01	19.43	20.85	22.27	23.70	25.12	26.54	27.96
	66	2.64	4.22	5.81	7.39	8.97	10.56	12.14	13.72	15.31	16.89	18.47	20.06	21.64	23.22	24.81	26.39	27.98	29.56	31.14
	72	2.91	4.65	6.40	8.14	9.89	11.63	13.38	15.13	16.87	18.62	20.36	22.11	23.85	25.60	27.34	29.09	30.83	32.58	34.32
	78	3.18	5.09	6.99	8.90	10.81	12.71	14.62	16.53	18.43	20.34	22.25	24.15	26.06	27.97	29.88	31.78	33.69	35.60	37.50
84	3.45	5.52	7.59	9.65	11.72	13.79	15.86	17.93	20.00	22.07	24.13	26.20	28.27	30.34	32.41	34.48	36.55	38.61	40.68	
90	3.72	5.95	8.18	10.41	12.64	14.87	17.10	19.33	21.56	23.79	26.02	28.25	30.48	32.71	34.94	37.17	39.40	41.63	43.86	
96	3.99	6.38	8.77	11.16	13.56	15.95	18.34	20.73	23.12	25.52	27.91	30.30	32.69	35.08	37.48	39.87	42.26	44.65	47.04	
102	4.26	6.81	9.36	11.92	14.47	17.03	19.58	22.13	24.69	27.24	29.79	32.35	34.90	37.46	40.01	42.56	45.12	47.67	50.22	
108	4.53	7.24	9.96	12.67	15.39	18.10	20.82	23.53	26.25	28.97	31.68	34.40	37.11	39.83	42.54	45.26	47.97	50.69	53.41	
114	4.80	7.67	10.55	13.43	16.30	19.18	22.06	24.94	27.81	30.69	33.57	36.45	39.32	42.20	45.08	47.95	50.83	53.71	56.59	
120	5.06	8.10	11.14	14.18	17.22	20.26	23.30	26.34	29.38	32.42	35.45	38.49	41.53	44.57	47.61	50.65	53.69	56.73	59.77	

### AIR PERFORMANCE



### SAND REMOVAL EFFICIENCY

Pressure Drop	.10" wg.	.20" wg.	.30" wg.
Free Area Velocity	700 fpm	1000 fpm	1400 fpm
Sand Particle Size	Removal Efficiency	Removal Efficiency	Removal Efficiency
1-100 MICRON	96 %	86 %	75%
1100 - 1500 MICRON	99.90%	99.80%	99.3%
24" x 24" Test Sample			

# MODEL: L-4 DESIGN & CONSTRUCTION FEATURES



## Description

Model L-4 Stationary Louver is a weather louver designed to protect air intake and exhaust openings in building exterior walls. Design incorporates stationary non-drainable blades, sloped sill and high free area to provide maximum resistance to rain and weather while providing minimum resistance to airflow.

## Standard Construction

Frame:  
100 mm deep channel, 2.0 mm thick extruded aluminum

Blades:  
2.0 mm thick extruded aluminium  
37° and 45° angle on 100 mm centres

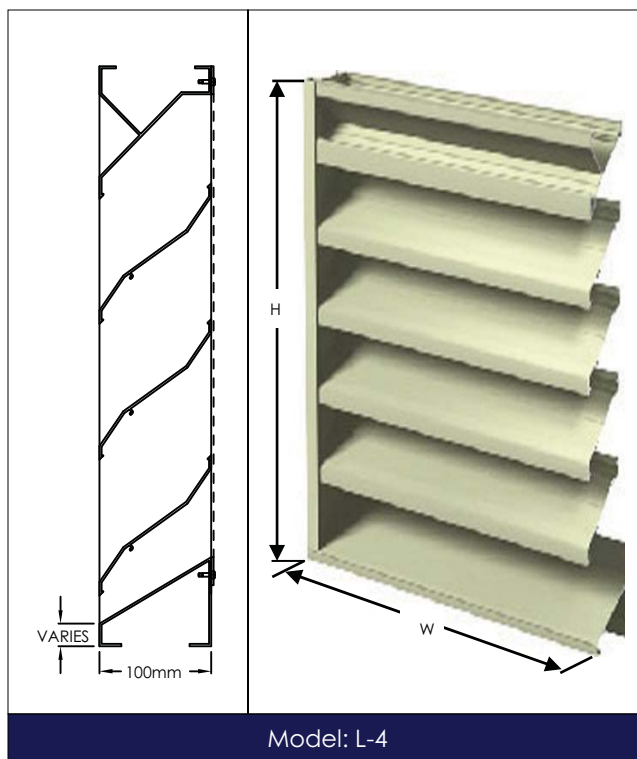
Screen:  
13 mm removable expanded aluminium bird screen. Located on interior

Construction:  
Mechanically fastened and welded

Finish:  
Mill with touch up on welds

Dimensions:  
Single Section Size:  
Minimum size: 300 mm x 300 mm  
Maximum size: 2400 mm x 2400 mm

Maximum multiple section size: Unlimited  
"W" (width) and "H" (height) are opening sizes. Louvers are made 6 mm undersized.



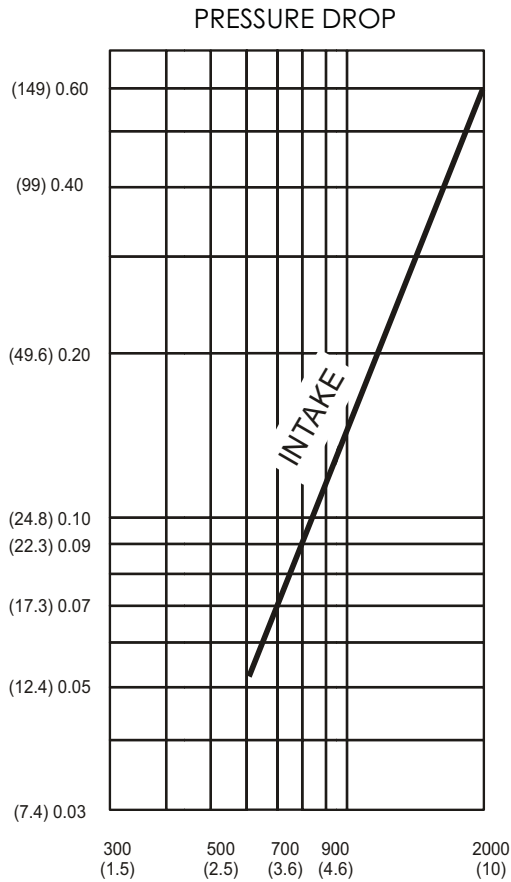
## Options

- 6" (152 mm) deep channel
- Variety of Bird and Insect Screens
- Flanged Frame
- Filter Rack
- Washable Filters
- Hinged Frame
- Clip Angles
- 3.0 mm Thickness Aluminum Construction
- Selection of Finishes: Super Durable Polyester Powder coatings, Kynar / PVF and anodized.

# MODEL: L-4 PERFORMANCE DATA



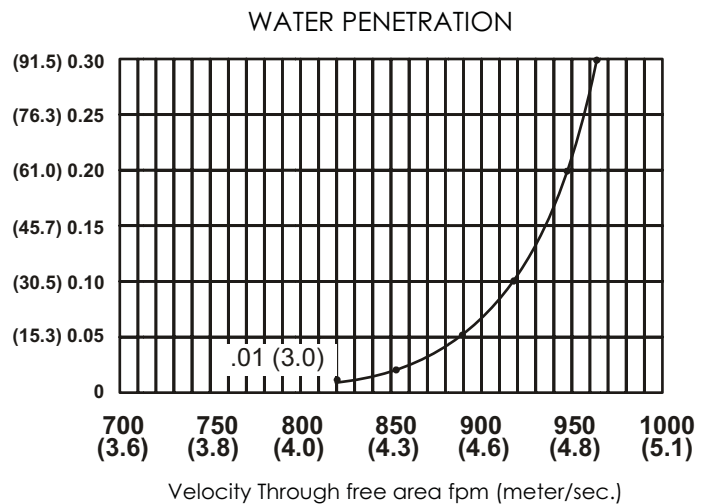
Free Area: 51% for 448" x 48" (1.22m x 1.22mm) test size.



Velocity Through free area fpm (meter/sec.)  
 Standard air - .075 lbs. per cu. ft.  
 Ratings do not include the effect of a bird screen

**FREE AREA IN SQUARE FEET (sq.meters)**

		WIDTH								
		in.	12	24	36	48	60	72	84	96
HEIGHT	mm	304	609	914	1219	1524	1828	2133	2438	
	12	0.29	0.66	1.04	1.41	1.79	2.12	2.49	2.87	
	304	0.03	0.06	0.10	0.13	0.17	0.20	0.23	0.27	
	24	0.69	1.59	2.49	3.40	4.30	5.08	5.98	6.88	
	609	0.06	0.15	0.23	0.32	0.40	0.47	0.56	0.64	
	36	1.18	2.70	4.22	5.75	7.27	8.61	10.13	11.66	
	914	0.11	0.25	0.39	0.53	0.68	0.80	0.94	1.08	
	48	1.68	3.85	6.03	8.21	10.38	12.29	14.47	16.64	
	1219	0.16	0.36	0.56	0.76	0.96	1.14	1.34	1.55	
	60	2.08	4.77	7.47	10.16	12.85	15.21	17.90	20.60	
	1524	0.19	0.44	0.69	0.94	1.19	1.41	1.66	1.91	
	72	2.57	5.90	9.24	12.57	15.91	18.82	22.16	25.49	
	1828	0.24	0.55	0.86	1.17	1.48	1.75	2.06	2.37	
84	2.97	6.83	10.69	14.55	18.41	21.79	25.65	2.51		
2133	0.28	0.63	0.99	1.35	1.71	2.02	2.38	2.74		
96	3.46	7.94	12.42	16.91	21.39	25.31	29.80	34.28		
2438	0.32	0.74	1.15	1.57	1.99	2.35	2.77	3.18		



Both maximum recommended free area velocity and beginning of water penetration are 822 fpm at standard air- 075 lbs. per cu. ft. The above water penetration data is based on mill finish, 48" x 48" test size.

# MODEL: L4-D DESIGN & CONSTRUCTION FEATURES



## Description

Model L-4D Stationary louver Drainable blade is a weather louver designed to protect air intake and exhaust openings in building exterior walls. Design incorporates stationary drainable blades, sloped sill and high free area to provide maximum resistance to rain and weather while providing minimum resistance to airflow.

## Standard Construction

Frame:  
100 mm deep channel, 2.0 mm thick extruded aluminum

Blades:  
2.0 mm thick extruded aluminium  
37° and 45° angle on 100 mm centres

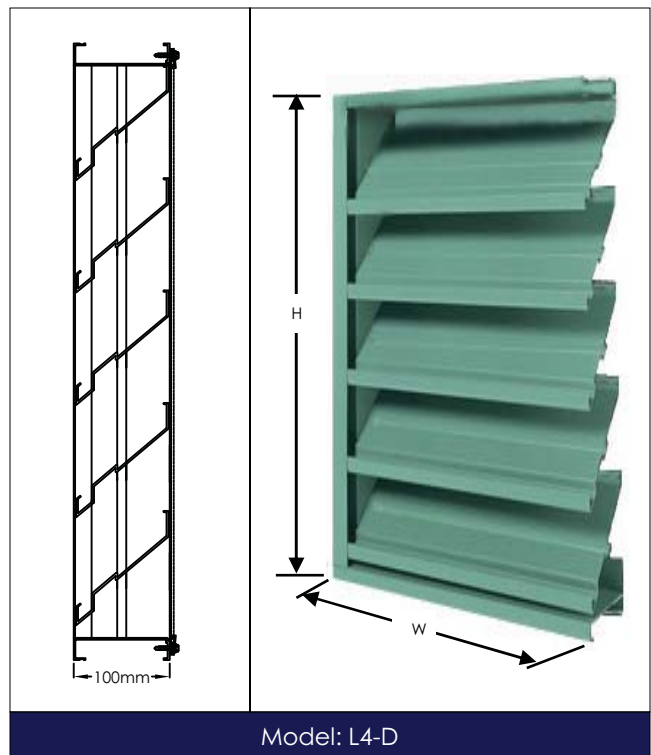
Screen:  
13 mm removable expanded aluminium bird screen. Located on interior

Construction:  
Mechanically fastened and welded

Finish:  
Mill with touch up on welds

Dimensions:  
Single Section Size:  
Minimum size: 300 mm x 300 mm  
Maximum size: 2400 mm x 2400 mm

Maximum multiple section size: Unlimited  
"W" (width) and "H" (height) are opening sizes. Louvers are made 6 mm undersized.



## Options

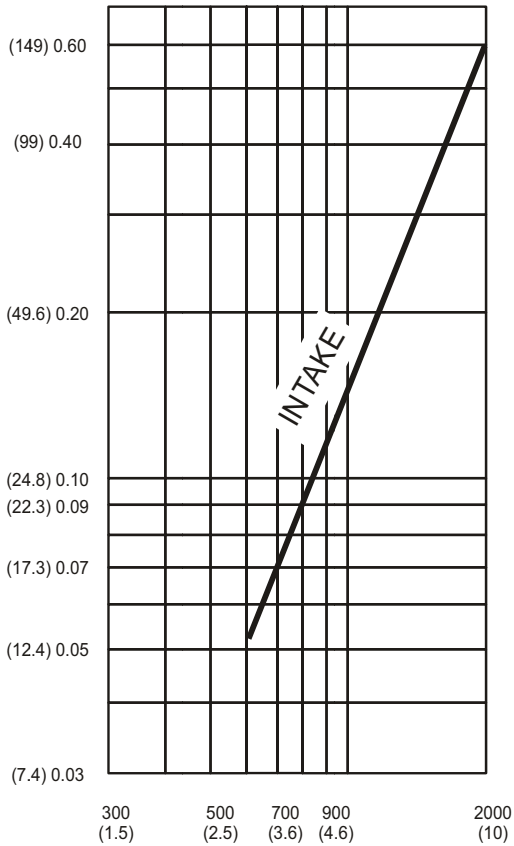
- 6" (152 mm) deep channel
- Variety of Bird and Insect Screens
- Flanged Frame
- Filter Rack
- Washable Filters
- Hinged Frame
- Clip Angles
- 3.0 mm Thickness Aluminum Construction
- Selection of Finishes: Super Durable Polyester Powder coatings, Kynar / PVF and anodized.

# MODEL: L-4D PERFORMANCE DATA



Free Area: 51% for 448" x 48" (1.22m x 1.22mm) test size.

PRESSURE DROP



Velocity Through free area fpm (meter/sec.)

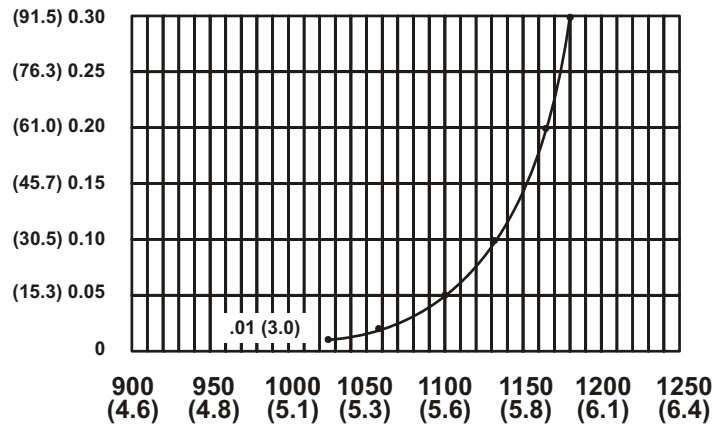
Standard air - .075 lbs. per cu. ft.

Ratings do not include the effect of a bird screen

FREE AREA IN SQUARE FEET (sq.meters)

HEIGHT	WIDTH								
	in.	12	24	36	48	60	72	84	96
	mm	304	609	914	1219	1524	1828	2133	2438
	12	0.17	0.39	0.60	0.82	1.04	1.23	1.45	1.66
	304	0.02	0.04	0.06	0.08	0.10	0.11	0.13	0.15
	24	0.66	1.53	2.39	3.25	4.11	4.87	5.73	6.59
	609	0.06	0.14	0.22	0.30	0.38	0.45	0.53	0.61
	36	1.16	2.67	4.18	5.68	7.19	8.51	10.02	11.52
	914	0.11	0.25	0.39	0.53	0.67	0.79	0.93	1.07
	48	1.66	3.81	5.96	8.11	10.27	12.15	14.30	16.45
	1219	0.15	0.35	0.55	0.75	0.95	1.13	1.33	1.53
	60	2.16	4.95	7.75	10.55	13.34	15.79	18.59	21.38
	1524	0.20	0.46	0.72	0.98	1.24	1.47	1.73	1.99
	72	2.65	6.09	9.54	12.98	16.42	19.43	22.87	26.31
	1828	0.25	0.57	0.89	1.21	0.53	1.81	2.12	2.44
	84	3.15	7.24	11.32	15.41	19.49	23.07	27.16	31.24
	2133	0.29	0.67	1.05	1.43	1.81	2.14	2.52	2.90
	96	3.65	8.38	13.11	17.84	22.57	26.71	31.44	36.17
	2438	0.34	0.78	1.22	1.66	2.10	2.48	2.92	3.36

WATER PENETRATION



Velocity Through free area fpm (meter/sec.)

Both maximum recommended free area velocity and beginning of water penetration are 1026 fpm (5.21 m/s) at standard air-075 lbs. per cu. ft. The above water penetration data is based on mill finish, 48" x 48" test size.

# MODEL: L-4S DESIGN & CONSTRUCTION FEATURES



## Description

Model L-4S is a weather louver designed to protect air intake and exhaust openings in building exterior walls. Design incorporates steel stationary non-drainable blades, sloped sill and high free area to provide maximum resistance to rain and weather while providing minimum resistance to airflow.

## Standard Construction

Frame:  
4" (102 mm) deep channel,  
16 gauge (1.6 mm) thick galvanized steel

Blades:  
16 gauge (1.6 mm) thick galvanized steel  
45° angle on 4" (100 mm) centres

Screen:  
13 mm removable wire mesh  
Bird screen. Located on interior

Construction:  
Mechanically fastened and welded

Finish:  
Mill with touch up on welds

Dimensions:  
Single Section Size:  
Minimum size: 12" x 12" (300mm x 300mm)  
Maximum size: 96" x 96" (2400mm x 2400mm)

Maximum multiple section size: Unlimited  
"A" (width) and "B" (height) are opening sizes. Louvers are made 6 mm undersized.



## Options

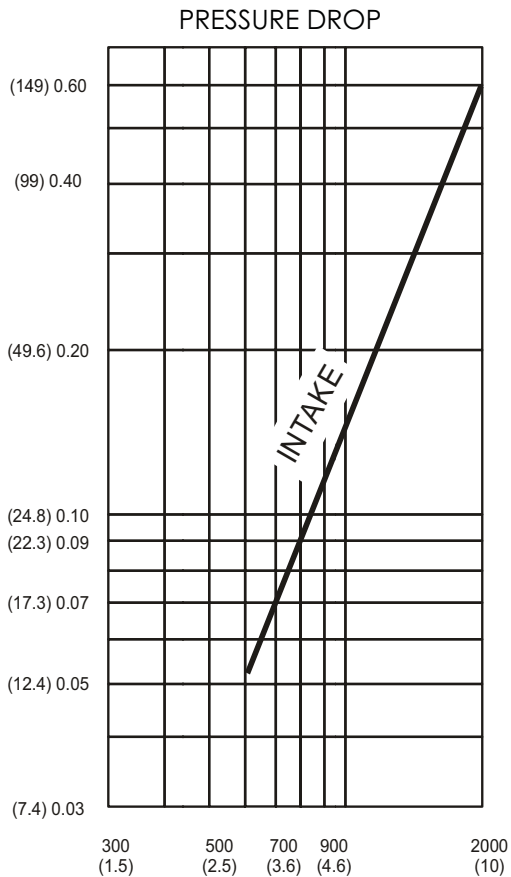
- 6" (152 mm) deep channel
- Variety of Bird and Insect Screens
- Flanged Frame
- Filter Rack
- Washable Filters
- Hinged Frame
- Clip Angles
- Stainless Steel Construction
- Selection of Finishes: Super Durable Polyester Powder coatings, Kynar and PVF.

# MODEL: L-4S PERFORMANCE DATA



Below performance charts are based on tests performed at Cert-Aire Laboratory at Arlington Heights, Illinois based on AMCCA Publication 511 for Air Performance and Water Penetration.

**Free Area: 51% for 448" x 48" (1.22m x 1.22mm) test size**



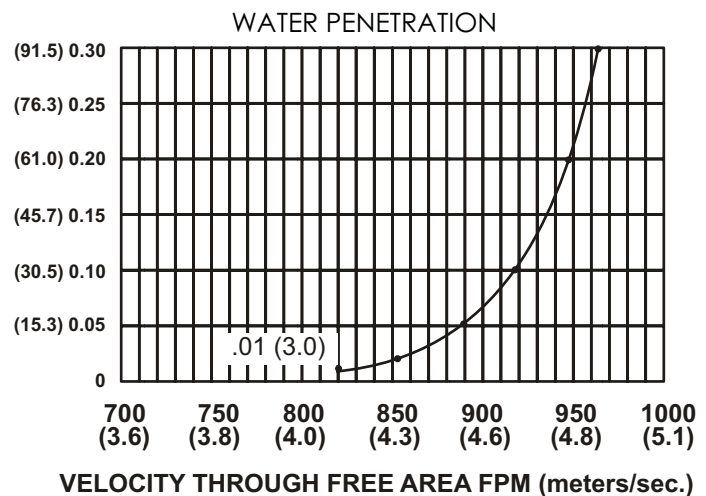
Velocity Through free area fpm (meter/sec.)

Standard air - .075 lbs. per cu. ft.

Ratings do not include the effect of a bird screen

FREE AREA IN SQUARE FEET (sq.meters)

HEIGHT	WIDTH									
	in.	12	24	36	48	60	72	84	96	
	mm	304	609	914	1219	1524	1828	2133	2438	
	12	0.29	0.66	1.04	1.41	1.79	2.12	2.49	2.87	
	304	0.03	0.06	0.10	0.13	0.17	0.20	0.23	0.27	
	24	0.69	1.59	2.49	3.40	4.30	5.08	5.98	6.88	
	609	0.06	0.15	0.23	0.32	0.40	0.47	0.56	0.64	
	36	1.18	2.70	4.22	5.75	7.27	8.61	10.13	11.66	
	914	0.11	0.25	0.39	0.53	0.68	0.80	0.94	1.08	
	48	1.68	3.85	6.03	8.21	10.38	12.29	14.47	16.64	
	1219	0.16	0.36	0.56	0.76	0.96	1.14	1.34	1.55	
	60	2.08	4.77	7.47	10.16	12.85	15.21	17.90	20.60	
	1524	0.19	0.44	0.69	0.94	1.19	1.41	1.66	1.91	
	72	2.57	5.90	9.24	12.57	15.91	18.82	22.16	25.49	
	1828	0.24	0.55	0.86	1.17	1.48	1.75	2.06	2.37	
	84	2.97	6.83	10.69	14.55	18.41	21.79	25.65	2.51	
	2133	0.28	0.63	0.99	1.35	1.71	2.02	2.38	2.74	
	96	3.46	7.94	12.42	16.91	21.39	25.31	29.80	34.28	
	2438	0.32	0.74	1.15	1.57	1.99	2.35	2.77	3.18	



VELOCITY THROUGH FREE AREA FPM (meters/sec.)

Both maximum recommended free area velocity and beginning of water penetration are 822 fpm at standard air- 075 lbs. per cu. ft. The above water penetration data is based on mill finish, 48" x 48" test size.

# MODEL: ACL DESIGN & CONSTRUCTION FEATURES



## Description

Model ACL Acoustical louvers are designed to provide optimal noise reduction with minimal airflow restrictions. Acoustically insulated blades and varying louver depths provide sound attenuation as well as protect against weather penetration with an architecturally pleasing appearance.

## Standard Construction

Frame:  
150 mm, 200 mm, 300 mm deep,  
channel type, 2.0 mm thick formed aluminum.

Blades:  
2.0 mm thick formed aluminum,  
positioned at 45° angle.

Acoustic Infill:  
Fiberglass Insulation.

Insulation Cover:  
Perforated Aluminum.

Screen:  
Removable expanded aluminum bird screen.  
Located on interior.

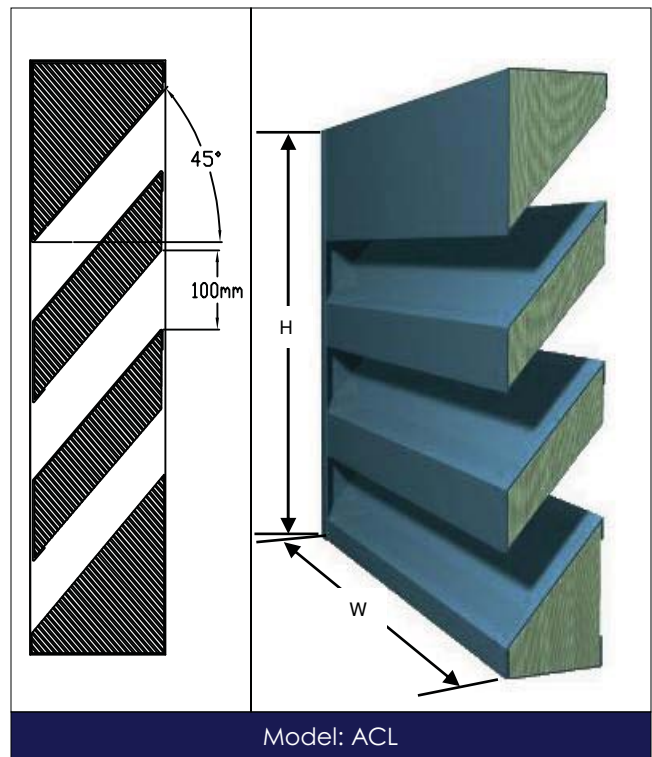
Construction:  
Mechanically fastened.

Finish:  
Mill with touch up on welds

Dimensions:  
Minimum size: 300 mm x 450 mm

Maximum size:  
1500 mm x 2400 mm

Multiple section sizes available  
"W" (width) and "H" (height) are opening  
sizes. Louvers are made 6 mm undersized.





# MODEL: ACL DESIGN & CONSTRUCTION FEATURES

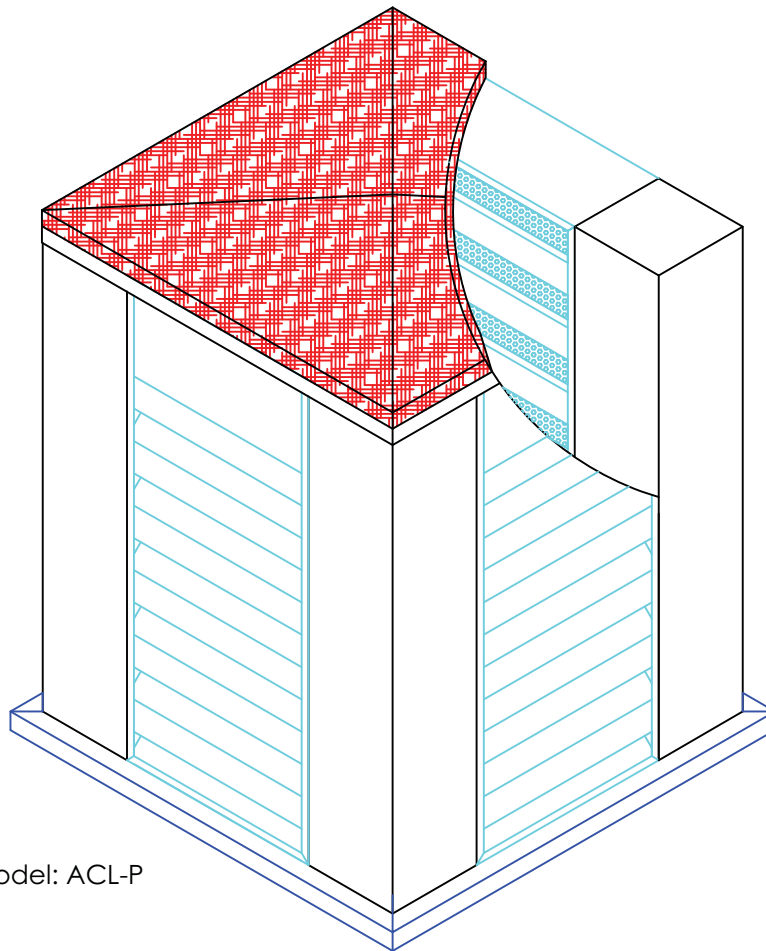


## Options

- Formed Steel Construction
- Stainless Steel Construction
- Variety of Bird and Insect Screens
- Flanged Frame
- Filter Rack
- Washable Filters
- Hinged Frame
- Clip Angles
- Selection of Finishes: Super Durable Polyester Powder coatings, Kynar/PVF and anodized.

## Special Application

Acoustic Louver Penthouse



Model: ACL-P



## ACL Performance Data

Below ACL performance charts are based on tests performed at Cert-Aire Laboratory at Arlington Heights, Illinois based on AMCA Publication 511 for Air Performance and Water Penetration.

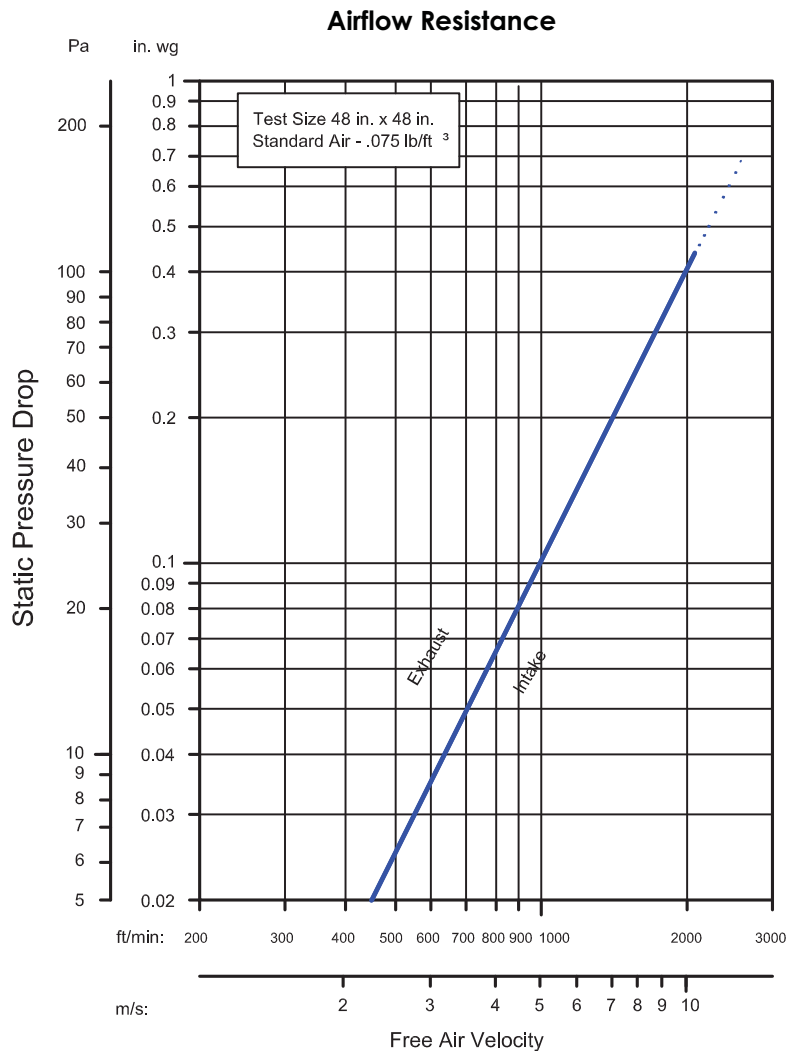
### Aerodynamic Performance

Free Area:

Total open area of a louver after subtracting all obstructions - blades and frame

### Airflow Resistance:

Pressure Differential across the louver at various free area velocities





## ACL Performance Data

Water Penetration:

First Point of Water Penetration is the point at which a louver first allows the passage of water through the louver. It is measured by the air intake velocity at which the louver will begin leaking.

Frame Thickness (mm)	Free Area (%)	Beginning of Water Penetration (m/s)	Pressure Drop (Pa) (at beginning of Water Penetration Velocity)
150	34	4.06	16
200	30	4.57	18
300	26	5.00	23

## Acoustic Performance

Sound Transmission Class ((STC):

The Sound Transmission Class (STC) is a rating of the effectiveness of an assembly in isolating or reducing airborne sound transmission. STC is a single number that summarizes airborne sound transmission loss data. Assemblies with higher STC ratings are more efficient at reducing sound transmission. STC is determined in accordance with ASTM E413-04.

Transmission Loss:

Transmission loss (TL) is a measurement of the reduction of sound power transmission (dB) through an assembly at a given frequency. The more sound power that is reduced, the greater the TL. TL is tested in accordance with ASTM E90-04.

Noise Reduction:

Difference between the sound pressure level on the noise source side of the louver and the free field sound pressure level on the receiver side of the louver

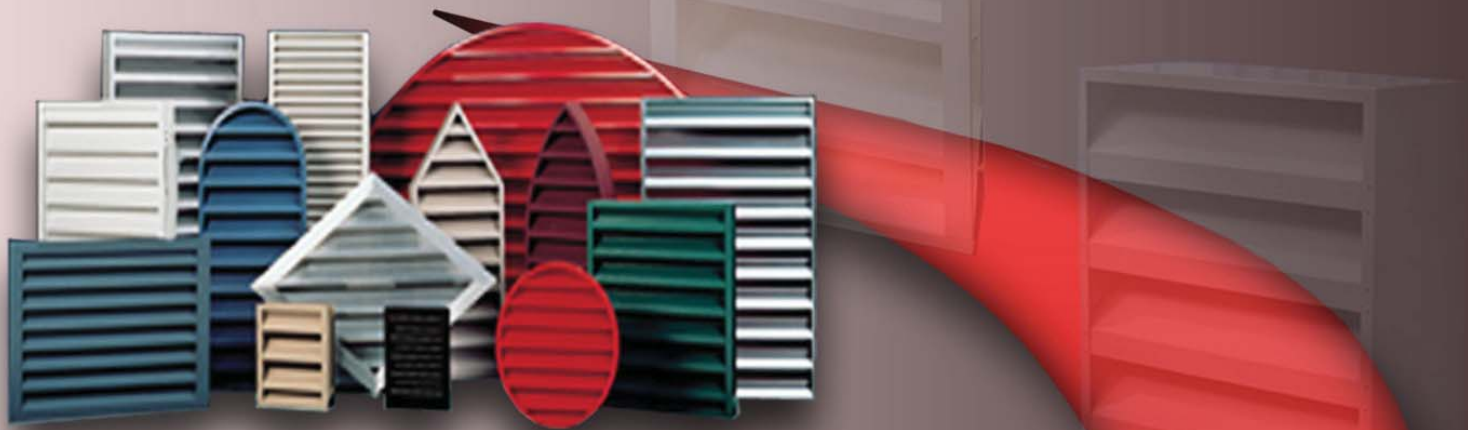
Thickness (mm)	Noise Reduction (dB)						
	125Hz	250Hz	500Hz	1000Hz	2000Hz	4000Hz	STC
150	10	10	12	16	23	18	10
200	11	11	13	19	28	20	12
300	13	12	17	25	36	25	16

## IGC Aire Louvers

- Sand Trap Louver
- Sand Storm Louver
- Stationary Louver
- Drainable blade
- Acoustic Louver



## Special Louvers



## About Us

IGC Aire headquartered in USA manages a sophisticated, global network of independent distributors, sales agents, assembly programs, technology agreements and offshore manufacturing for each product division. All locations are staffed with expert engineers and sales professionals who understand the unique requirements of each market. Our products are on the cutting edge of technology. Research and development is a way of life. We are constantly looking for ways to improve current products and introducing new products to satisfy our ever-changing business environment. Quality is built into all of our products. Statistical process control systems incorporate state-of-the-art computerized data gathering technology to assure performance and measure dimensional accuracy of each component. The finished product, in many instances, exceeds accepted standards, local codes or customer specifications. The combination of an established global network, state-of-the-art products, constant research and development, and built-in quality has placed us ahead of our competition. We are committed to our customers \_ we are service, we are quality, we are price. A team dedicated to solving customer problems and providing satisfaction.

1347 Holes Creek Tr, Centerville, Ohio, 45458